

NOBLELIFT



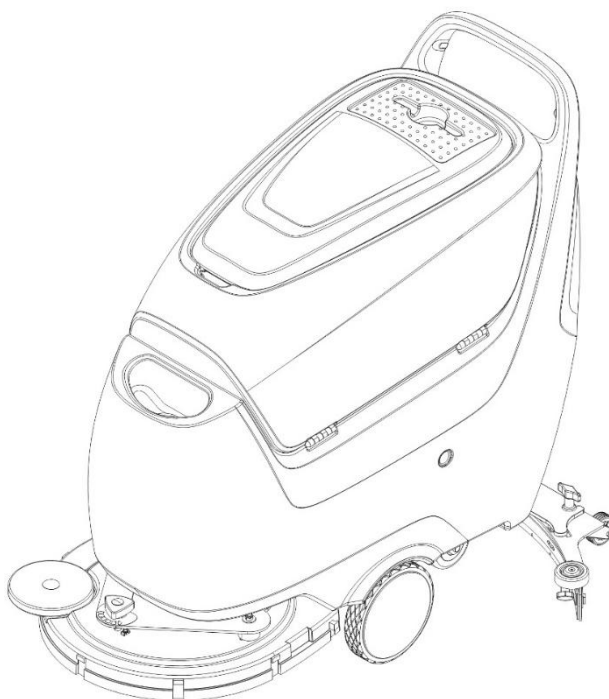
Scan QR Code for More

Walk-behind scrubber

NB530

Parts Manual

590146020101



Version V08

Scrubber Identification Number From:

Parts Manual NB530-PM08EN

Please order parts from authorized dealers of Noblelift Intelligent Equipment Co., LTD.

In order to avoid wrong delivery, all the orders for spare parts should specify the following items:

- Truck model, identification number and manufacture year.
- Orders for spare parts of mast, hydraulic transmission unit, steering axle, motor, etc. shall indicate the manufacture number of these parts.
- Codes for Noblelift spare parts are shown in the table of parts manual. Please also pay attention to the description of supply status, order quantity, etc. (check the number listed in "Mark" column of the parts manual).

"Mark" Column:

The unmarked indicates the parts are in short supply cycle.

Number 1: supply as package. Indicating these that parts are small parts and seal parts, which are supplied in package unit and in short supply cycle.

Number 2: supply with constraints. Indicating that these spare parts are not in stock and will be prepared for production after receiving the order from customers, which are in long supply cycle.

Number 3: phasing-out supply. Indicating that these parts will be replaced by new parts due to technical improvements and the current stock will not be available when these parts run out. Please check the description of technical improvements notice.

Number 4: supply as assembly. Indicating that these parts are assembly parts defined by manufacture process, which cannot be supplied as a single part.

Number 5: check other tables.

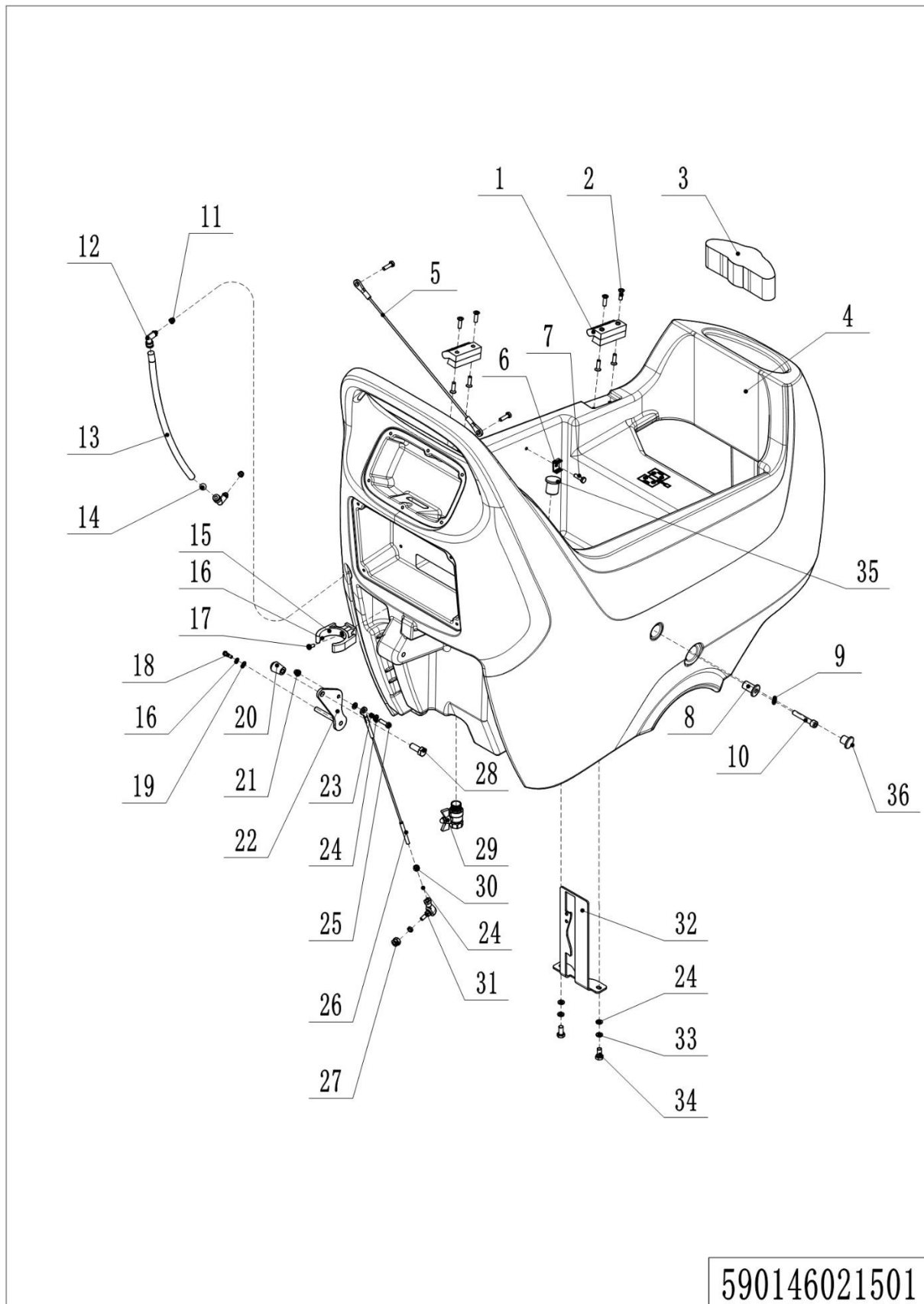
This parts manual is the property of Noblelift and can be shared under the confidential agreement only, Noblelift has the right to claim for compensation of any unauthorized use. Copy without permission is not allowed. Figures in the manual are not limited by the original design. Noblelift Intelligent Equipment Co., LTD reserves the right to improve the products for continuous technology progress.

目 录

Chapter 1: Truck Frame	1
01 Solution tank (590146021501).....	1
02 Recovery tank (590146021502).....	5
03 Brush system (590146021503)	7
04 Chassis (590146021504).....	11
05 Squeegee system (590146021505).....	13
06 Solution assembly (590146021506).....	17
07 Wheels (590146017001).....	19
Chapter 2: Electrical parts.....	21
01 Operating panel (590146010001)	21
02 Electronic control components (590146033001).....	23
03 Traction Battery (590146037001).....	25
04 Charger (590146036501).....	27
05 Wire Harness (Lead-acid battery)(590146033002)	29
06 Wire Harness (Lithium battery) (590146033003).....	31
Chapter 3: Others	33
01 Labels and decals (590146047001).....	33
Appendix.....	35
01 Electrical Circuit Diagram (Lead-acid battery)(590146045501).....	35
02 Electrical Circuit Diagram (Lithium battery)(590146045502).....	36
02 Easy Wornout Parts List.....	37
03 Consumables list.....	38

Chapter 1: Truck Frame

01 Solution tank (590146021501)

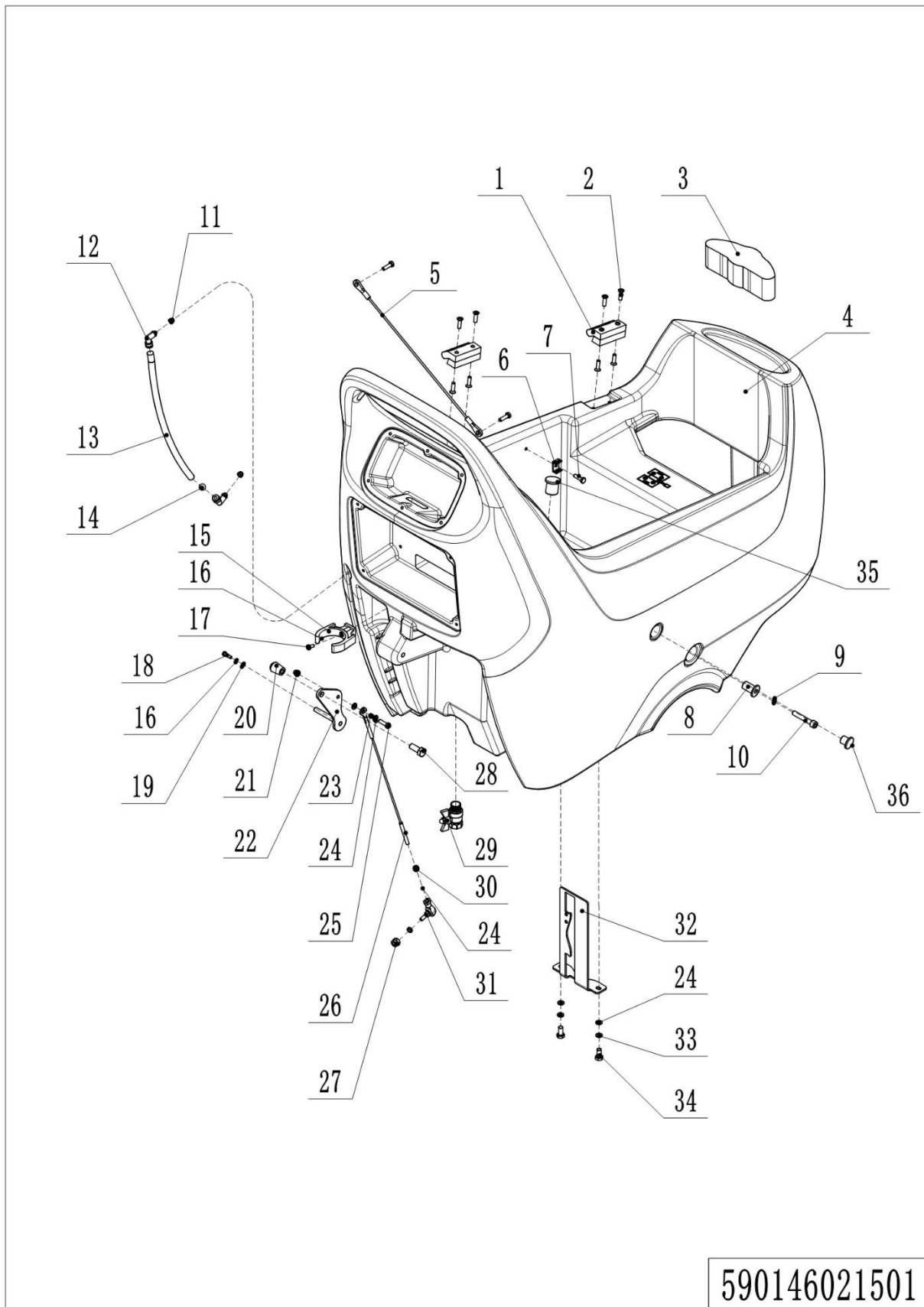


590146021501

01 Solution tank (590146021501)

No.	Item Code	Mark	Item Description	Qty.	Substitute	Note
1	590198520129		Hinge	2		
2	590198520143		Screw M6x20	8		
3	590198520060		Filter Foam	1		
4	590198520025		Solution Tank	1		
5	590198520044		Recovery Tank Rope	1		
6	590198520099		Ribbon Base	5		
7	590198520091		Screw M5x12	5		
8	590198520042		Pedal Bushing	1		
9	590198520074		Spring Washer	1		
10	590198520088		Screw M8x60	1		
11	590198520136		Rubber Plug	2		
12	590198520128		Right-angle Joint	2		
13	590198520139		Hose	0.385		0.385m
14	590198520130		Floating Ball	1		
15	590198520018		Water Pipe Buckle	1		
16	590198520076		Spring Washer	2		
17	590198520093		Screw M5x12	3		
18	590198520094		Screw M5x16	1		
19	590198520078		Gasket	1		
20	590198520011		Tiller	1		
21	590198520070		Nut M6	1		
22	590198520037		Lifting	1		
23	590198520038		Spacer Bush	1		
24	590198520079		Gasket	5		
25	590198520084		Screw M6x20	1		
26	590198520039		SqueegeeRope	1		
27	590198520067		Nut M6	1		
28	590198520126		Screw M10x25	1		
29	590198520153		Valve	1		
30	590198520071		Nut M6	1		

01 Solution tank (590146021501) (Continuation)

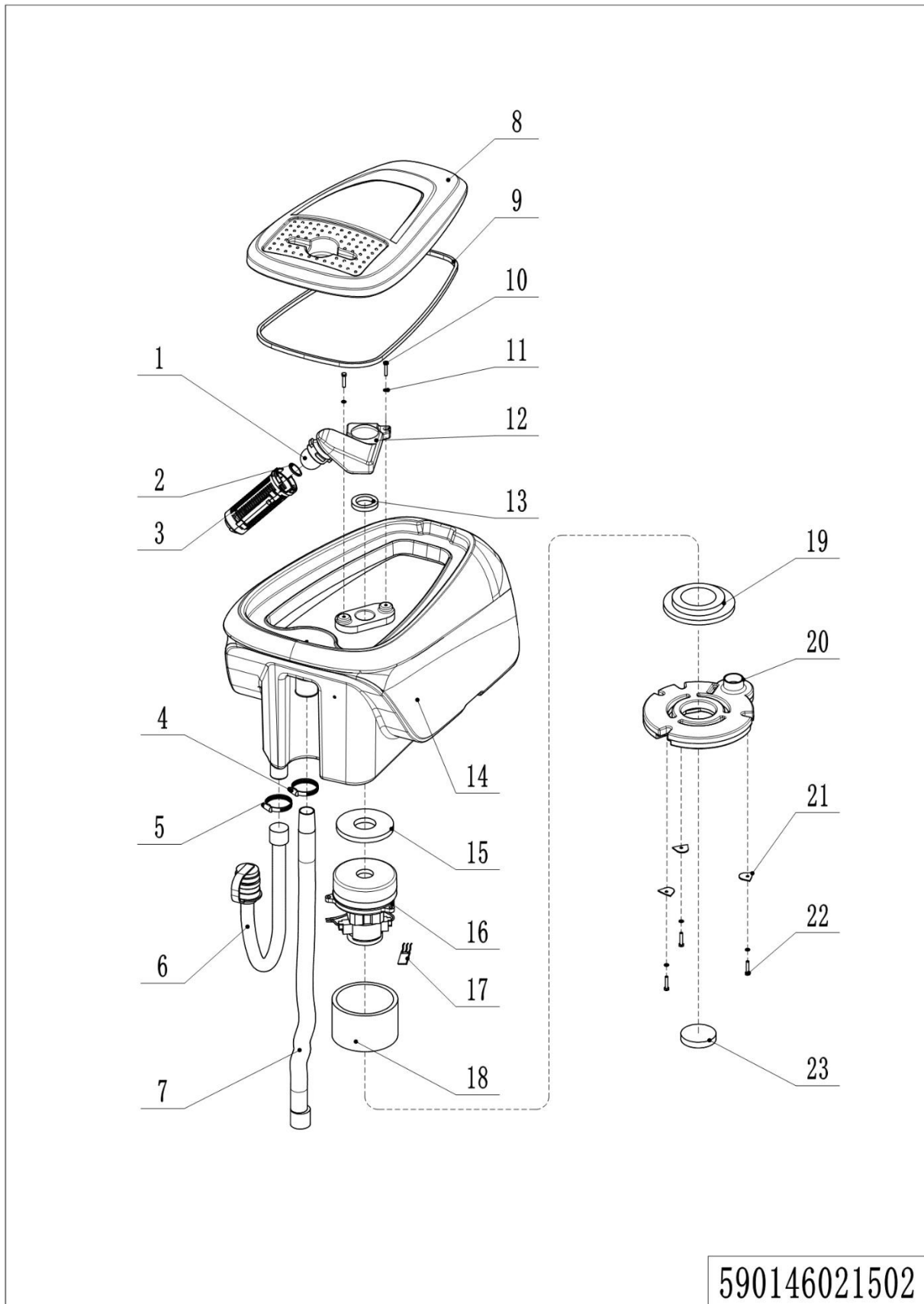


590146021501

01 Solution tank (590146021501) (Continuation)

No.	Item Code	Mark	Item Description	Qty.	Substitute	Note
31	590198520116		Joint Bearing M6	1		
32	590198520041		Fixed Plate	1		
33	590198520075		Spring Washer	2		
34	590198520083		Screw M6x16	2		
35	590198520196		Rubber Plug	1		
36	590198520193		Cap	2		

02 Recovery tank (590146021502)

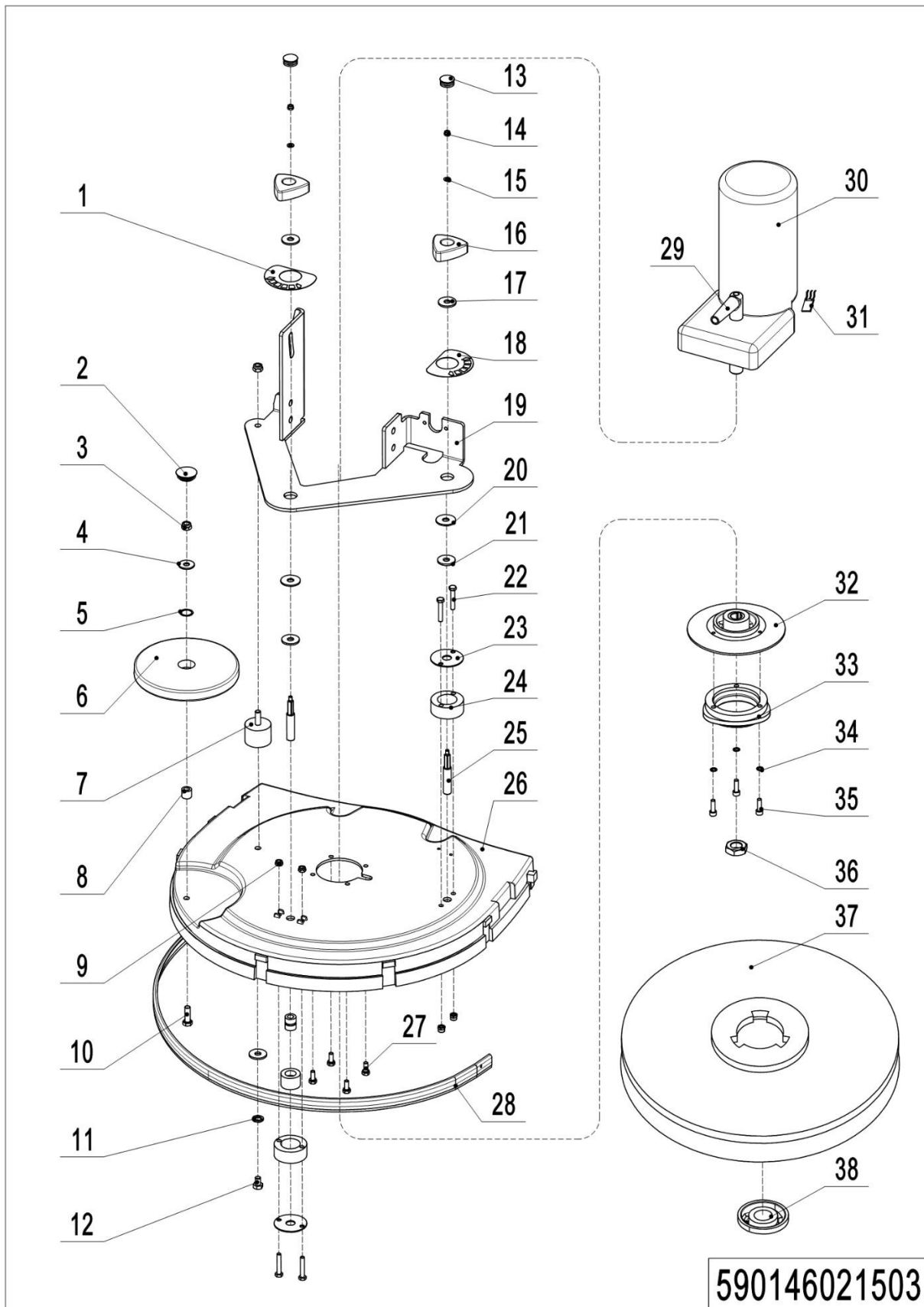


590146021502

02 Recovery tank (590146021502)

No.	Item Code	Mark	Item Description	Qty.	Substitute	Note
1	590198520015		Floating Ball	1		
2	590198520207		Sealing Ring	1		
3	590198520014		Floating Ball Cage	1		
4	590198520097		Hoop	1		
5	590198520105		Hoop	1		
6	590198520064		Drain Hose	1		
7	590198520063		Suction Pipe	1		
8	590198520023		Recovery Tank Cap	1		
9	590198520061		Sealing Strip	1.75		1.75m
10	590198520144		Screw M6x25	2		
11	590198520079		Gasket	5		
12	590198520013		Floating Ball Cage Bracket	1		
13	590198520059		Sealing Pad	1		
14	590198520024		Recovery Tank	1		
15	590198520054		Sealing Ring	1		
16	590398510007		Vacuum Motor	1		
17	590198520205		Carbon Brush	1		
18	590198520056		Silencing Foam	1		
19	590198520057		Sealing Pad	1		
20	590198520020		Motor Pressure Plate	1		
21	590198520040		Fixed Flat	3		
22	590198520085		Screw M6x30	3		
23	590198520058		Filter Foam	1		

03 Brush system (590146021503)

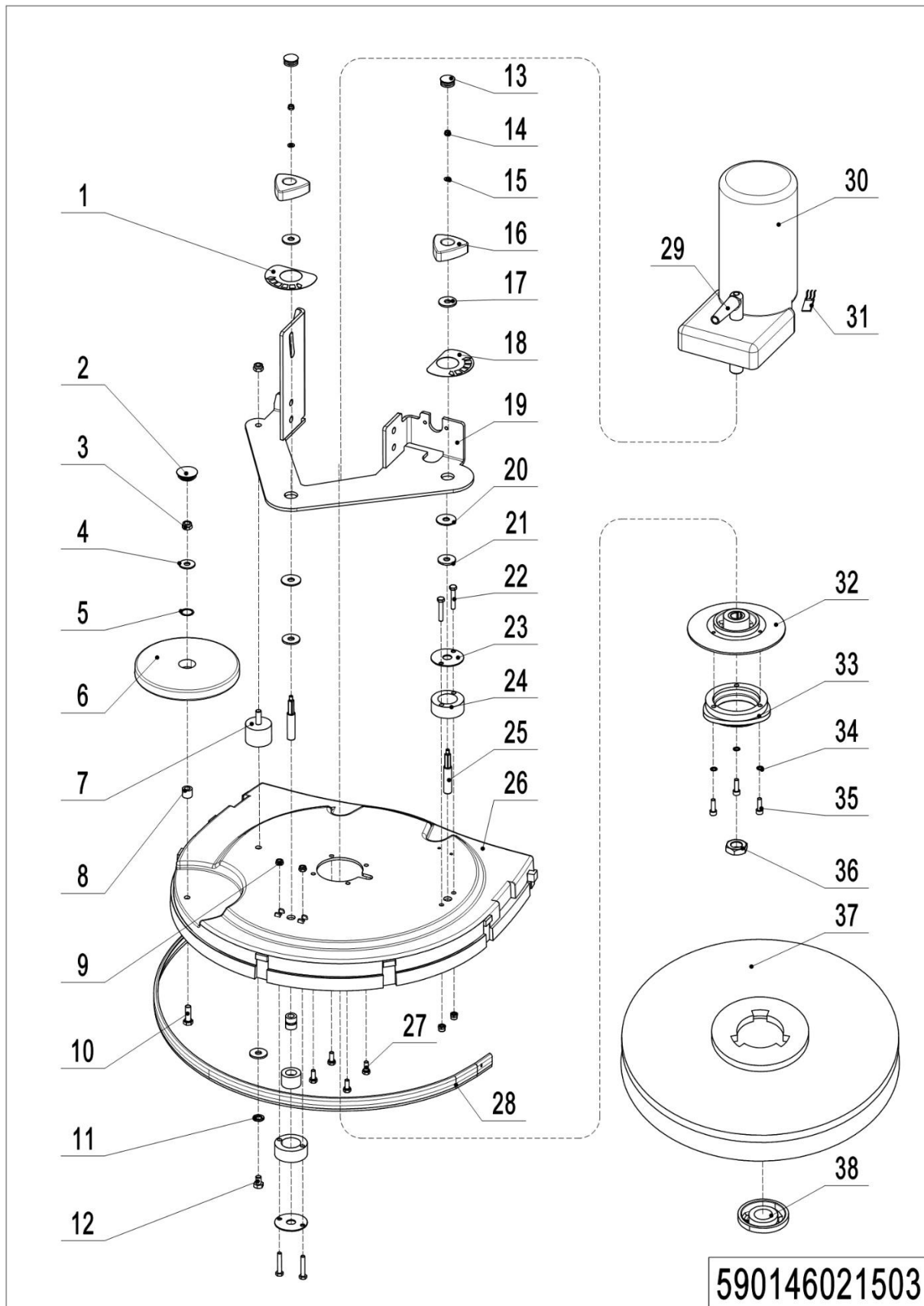


1= Supply as package. 2= Supply with constraints. 3= Phasing-out supply. 4= Supply as assembly. 5= Check other tables.

03 Brush system (590146021503)

No.	Item Code	Mark	Item Description	Qty.	Substitute	Note
1	590198520001		Label	1		
2	590198520019		Cap	1		
3	590198520066		Nut M8	2		
4	590198520109		Gasket	1		
5	590198520108		Gasket	1		
6	590198520016		Bumper Wheel	1		
7	590198520032		Absorber	1		
8	590198520107		Spacer Bush	1		
9	590198520067		Nut M6	4		
10	590198520100		Screw M8x25	1		
11	590198520074		Spring Washer	1		
12	590198520082		Screw M8x16	1		
13	590198520008		Cap	2		
14	590198520068		Nut M5	2		
15	590198520078		Gasket	2		
16	590198520007		Knob	2		
17	590198520080		Gasket	2		
18	590198520003		Label	1		
19	590198520036		Fixed Bracket	1		
20	590198520052		Gasket	2		
21	590198520077		Gasket	3		
22	590398520084		Screw M6x35	4		
23	590198520034		Tableting	2		
24	590198520033		Absorber Block	2		
25	590198520035		Bolt	2		
26	590198520006		Brush Cap	1		
27	590198520142		Screw M6x16	4		
28	590198520192		Water Barrier Skirt(*)	1		OPTIONAL
29	590198520204		Water Pipe	2		
30	590198510000		Brush Motor	1		

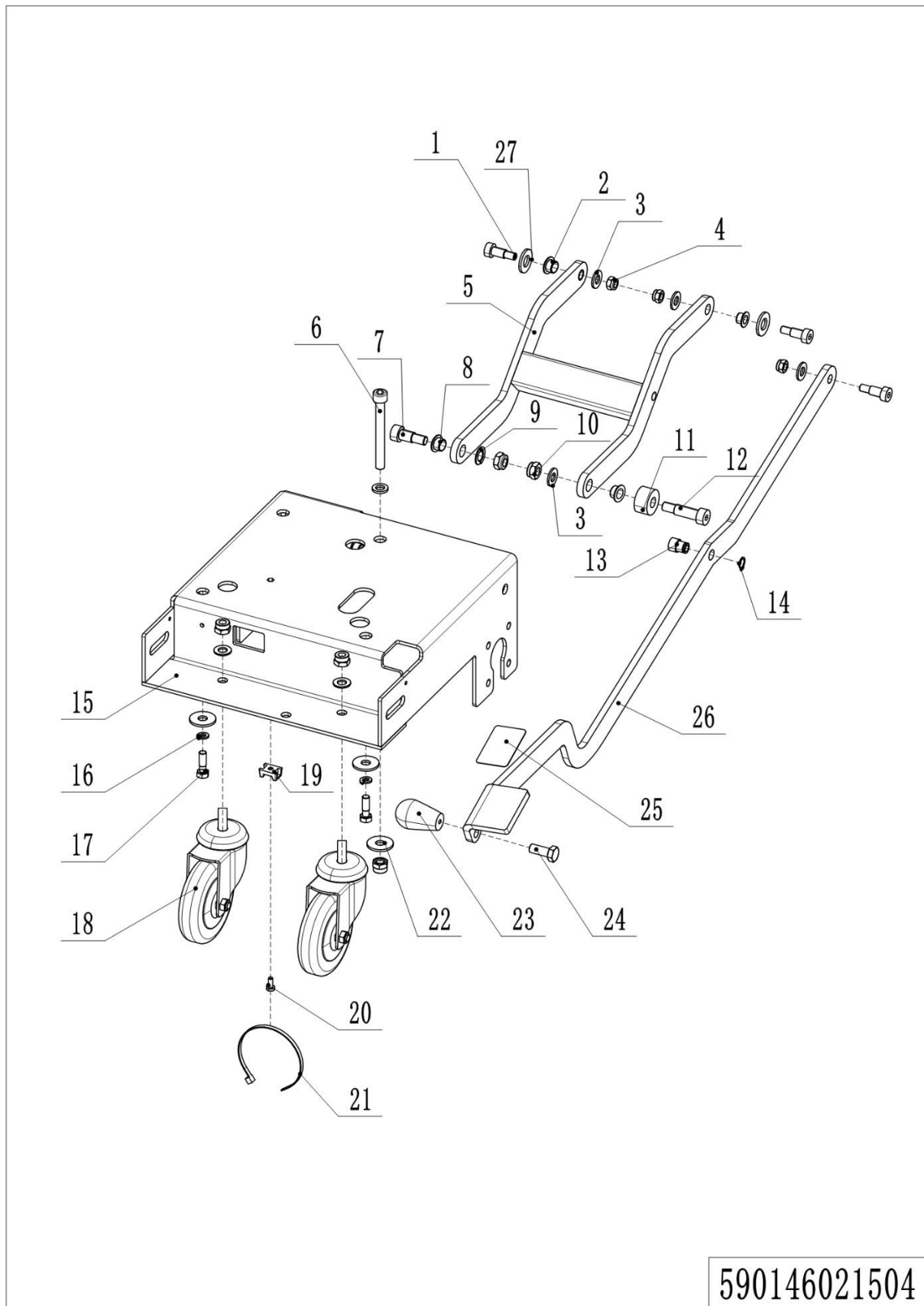
03 Brush system (590146021503) (Continuation)



03 Brush system (590146021503) (Continuation)

No.	Item Code	Mark	Item Description	Qty.	Substitute	Note
31	590198520199		Carbon Brush	1		
32	590198520045		Locator Plate	1		
33	590198520010		Brush Buckle	1		
34	590198520075		Spring Washer	3		
35	590198520087		Screw M6x20	3		
36	590198520072		Nut M20	1		
37	590198520162		Brush	1		
37	590798520110		Brush(Soft)	1		OPTIONAL
37	590798520111		Brush(Hard)	1		OPTIONAL
37	590198520163		Needle Disk	1		
38	590198520206		Brush Buckle	1		
38	590198520220		Locating buckle	1		

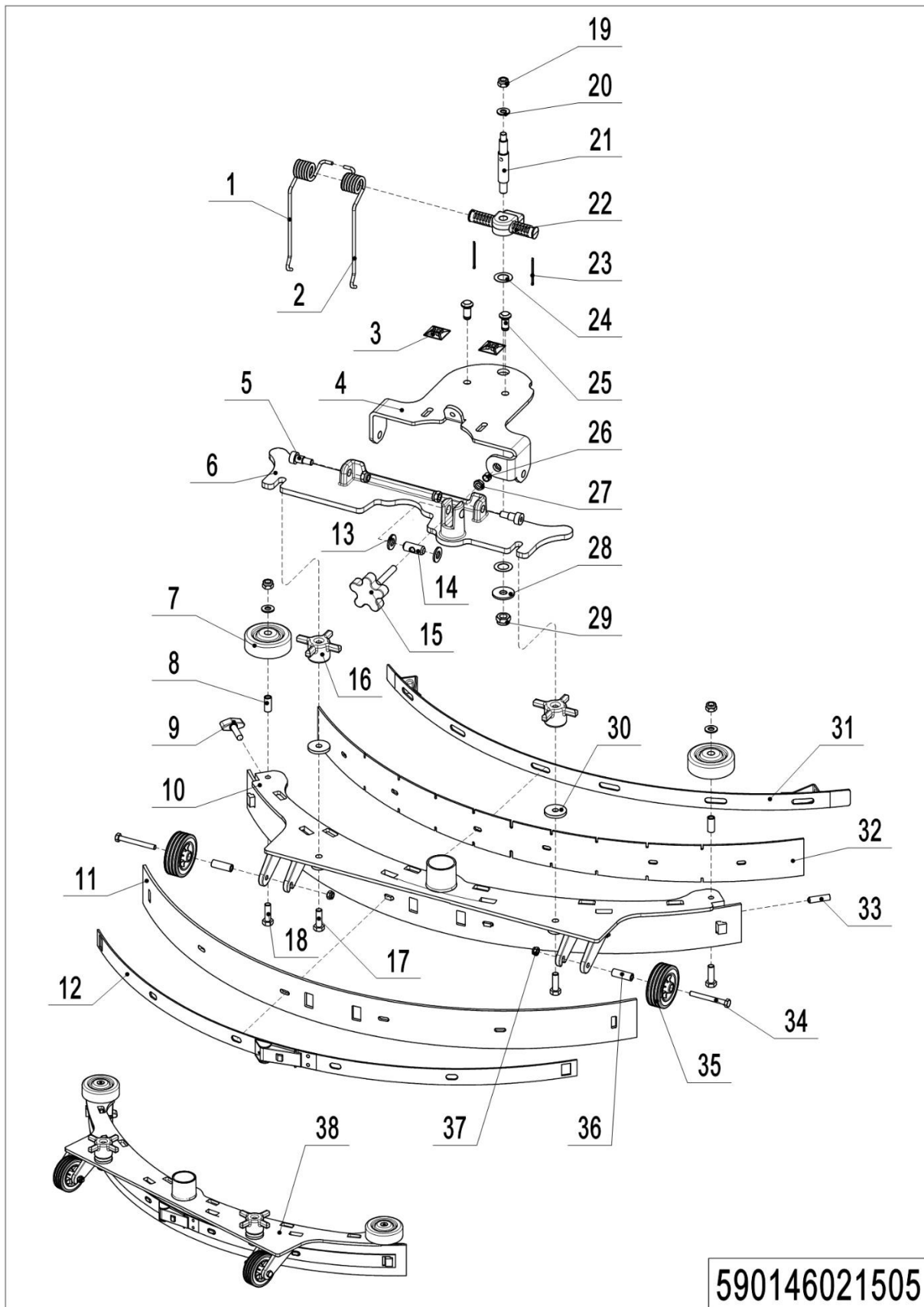
04 Chassis (590146021504)



04 Chassis (590146021504)

No.	Item Code	Mark	Item Description	Qty.	Substitute	Note
1	590198520090		Screw M10x16	3		
2	590198520021		Nylon Bush	2		
3	590198520081		Gasket	7		
4	590198520066		Nut M8	3		
5	590198520030		Lifting Bracket	1		
6	590198520089		Screw M10x90	1		
7	590198520110		Screw M12x16	1		
8	590198520017		Nylon Bush	2		
9	590198520111		Spring Washer	1		
10	590198520065		Nut M10	5		
11	590198520113		Spacer Bush	1		
12	590198520112		Screw M12x30	1		
13	590198520115		Spacer Bush	1		
14	590198520114		Card Pin	1		
15	590198520031		Chassis	1		
16	590198520073		Spring Washer	2		
17	590198520086		Screw M10x20	2		
18	590198520005		Universal Caster	2		
19	590198520095		Ribbon Base	1		
20	590198520091		Screw M5x12	1		
21	590198520000		Ribbon	1		
22	590198520080		Gasket	3		
23	590198520011		Tiller	1		
24	590198520126		Screw M10x25	1		
25	590198520002		Safety-walk Stickers	1		
26	590198520043		Pedal	1		
27	590398520085		Gasket	2		

05 Squeegee system (590146021505)

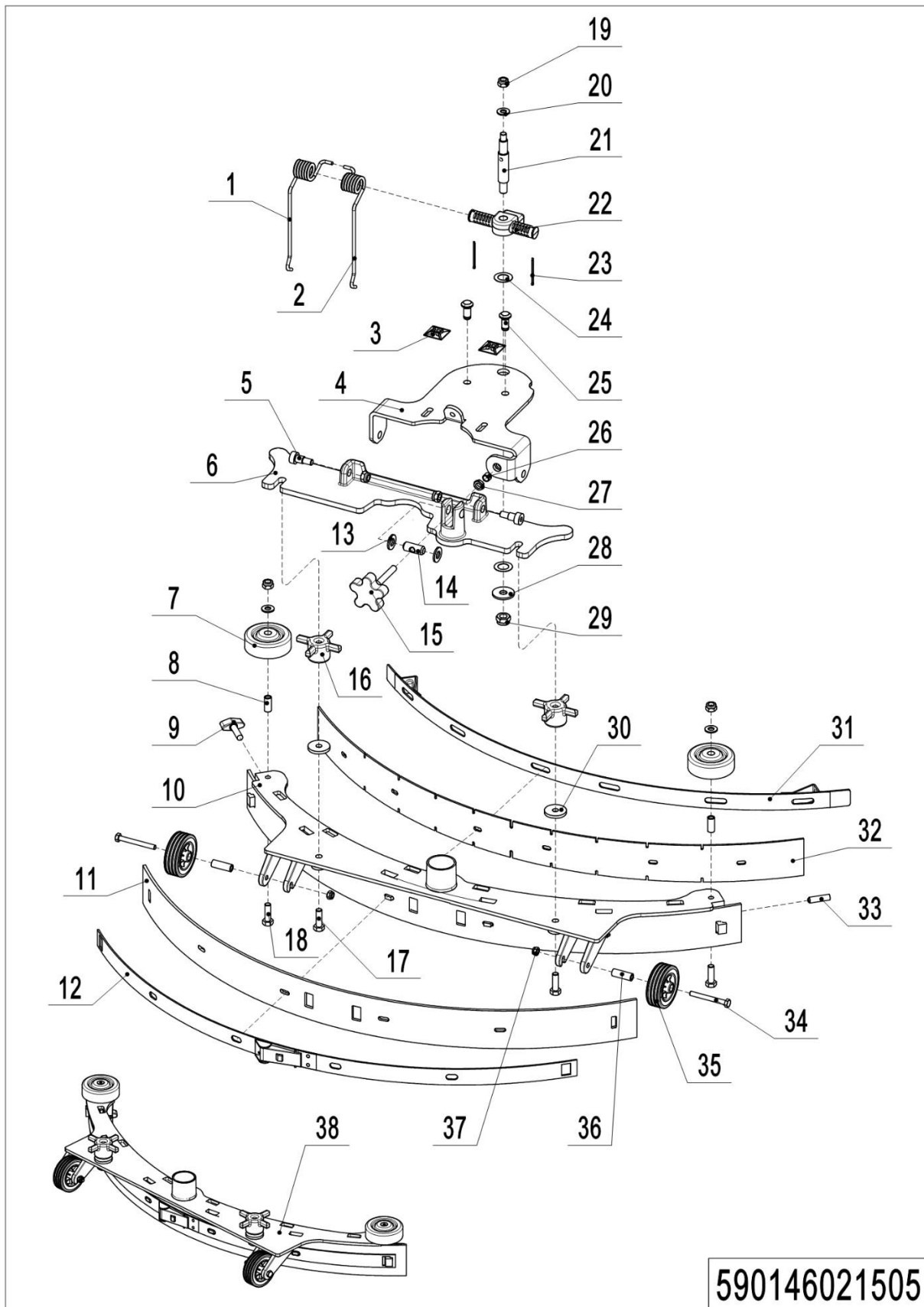


1= Supply as package. 2= Supply with constraints. 3= Phasing-out supply. 4= Supply as assembly. 5= Check other tables.

05 Squeegee system (590146021505)

No.	Item Code	Mark	Item Description	Qty.	Substitute	Note
1	590198520050		Torsional Spring(Left)	1		
2	590198520051		Torsional Spring(Right)	1		
3	590198520125		Fixed Base	2		
4	590198520049		Squeegee Holder	1		
5	590198520090		Screw M10x16	2		
6	590198520004		Squeegee Holder	1		
7	590198520131		Bumper Wheel	2		
8	590198520146		Spacer Bush	2		
9	590198520148		Screw M8x30	1		
10	590198520127		Squeegee Blade	1		
11	590198520138		Rear Blade	1		
11	590198520160		Rear Blade(NR)	1		OPTIONAL
11	590198520164		Rear Blade(PU)	1		
12	590198520200		Rear Batten	1		OPTIONAL
13	590198520028		Nylon Washer	2		
14	590198520124		Pin Shaft	1		
15	590198520123		Knob	1		
16	590198520132		Knob	2		
17	590198520150		Screw M8x35	2		
18	590198520100		Screw M8x25	2		
19	590198520066		Nut M8	5		
20	590198520117		Washer	3		
21	590198520118		Pin Shaft	1		
22	590198520026		Support Bracket	1		
23	590198520119		Pin	2		
24	590198520027		Nylon Washer	2		
25	590198520120		Pin Shaft	2		
26	590198520121		Spacer Bush	1		
27	590198520122		Nut M8	2		
28	590198520080		Gasket	1		

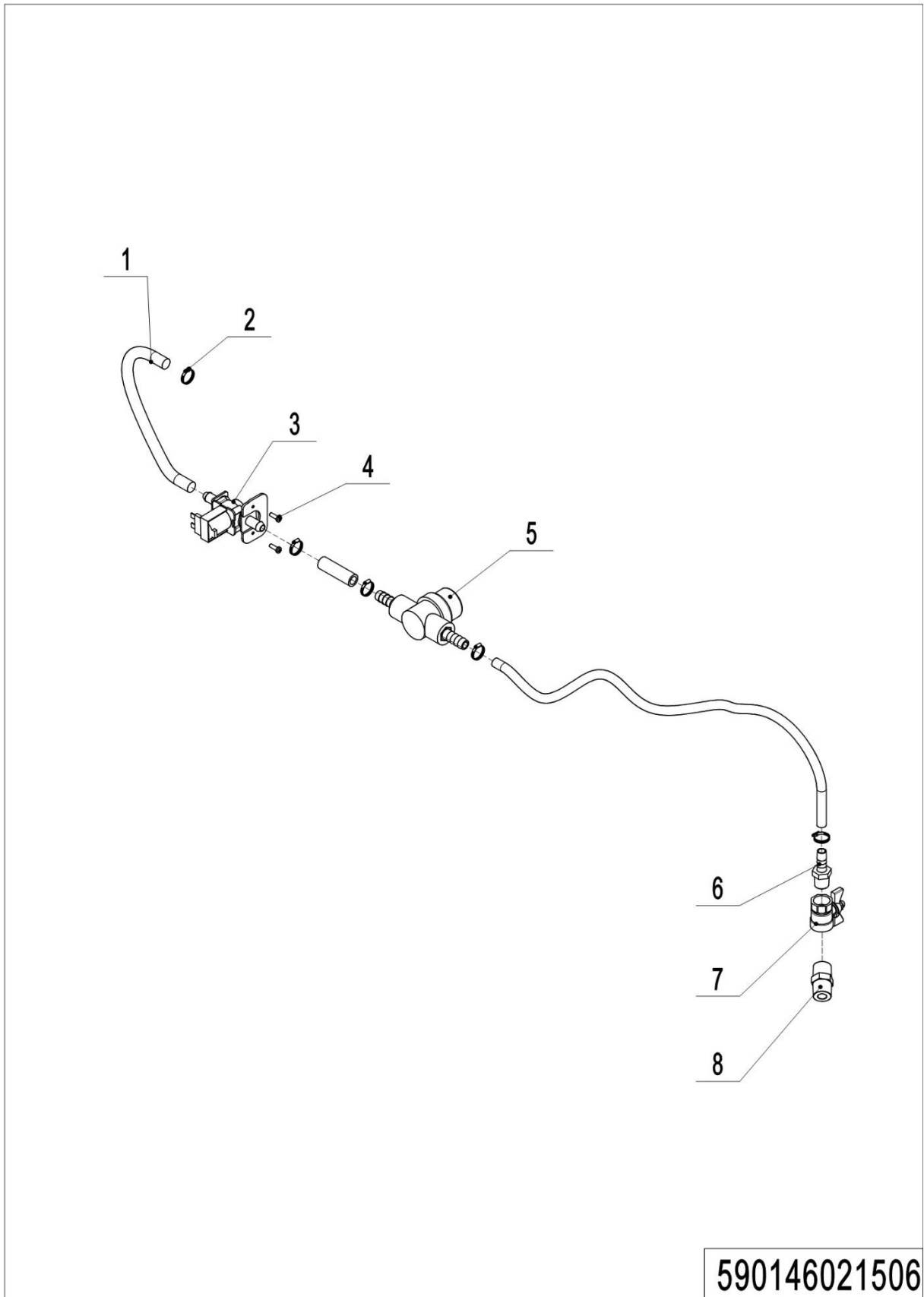
05 Squeegee system (590146021505) (Continuation)



05 Squeegee system (590146021505) (Continuation)

No.	Item Code	Mark	Item Description	Qty.	Substitute	Note
29	590198520065		Nut M10	1		
30	590198520053		Gasket	2		
31	590198520135		Front Batten	1		
32	590198520137		Front Blade	1		
32	590198520161		Front Blade(NR)	1		OPTIONAL
32	590198520165		Front Blade(PU)	1		
33	590198520149		Screw M8x35	1		OPTIONAL
34	590198520151		Screw M6x55	2		
35	590198520133		Wheel	2		
36	590198520152		Spacer Bush	2		
37	590198520067		Nut M6	2		
38	590198510003		Squeegee Kit	1		Without Blades

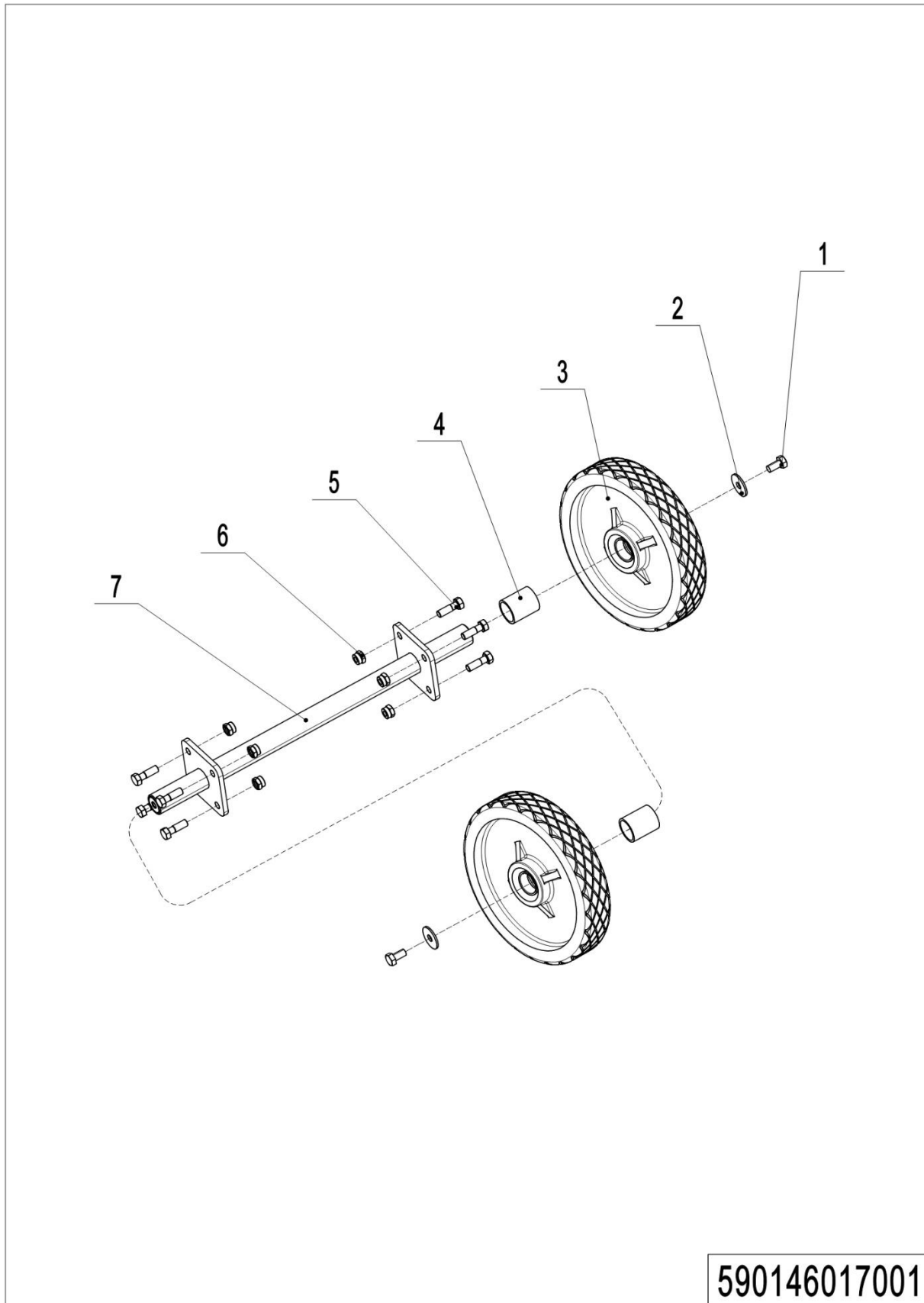
06 Solution assembly (590146021506)



06 Solution assembly (590146021506)

No.	Item Code	Mark	Item Description	Qty.	Substitute	Note
1	590198520062		Water Pipe	0.81		0.81m
2	590198520096		Hoop	6		
3	590198520140		Solenoid Valve	1		
4	590198520092		Screw M4x10	2		
5	590198520134		Filter	1		
6	590198520009		Connectors	1		
7	590198520147		Valve	1		
8	590398520068		Connector 2-2	1		

07 Wheels (590146017001)



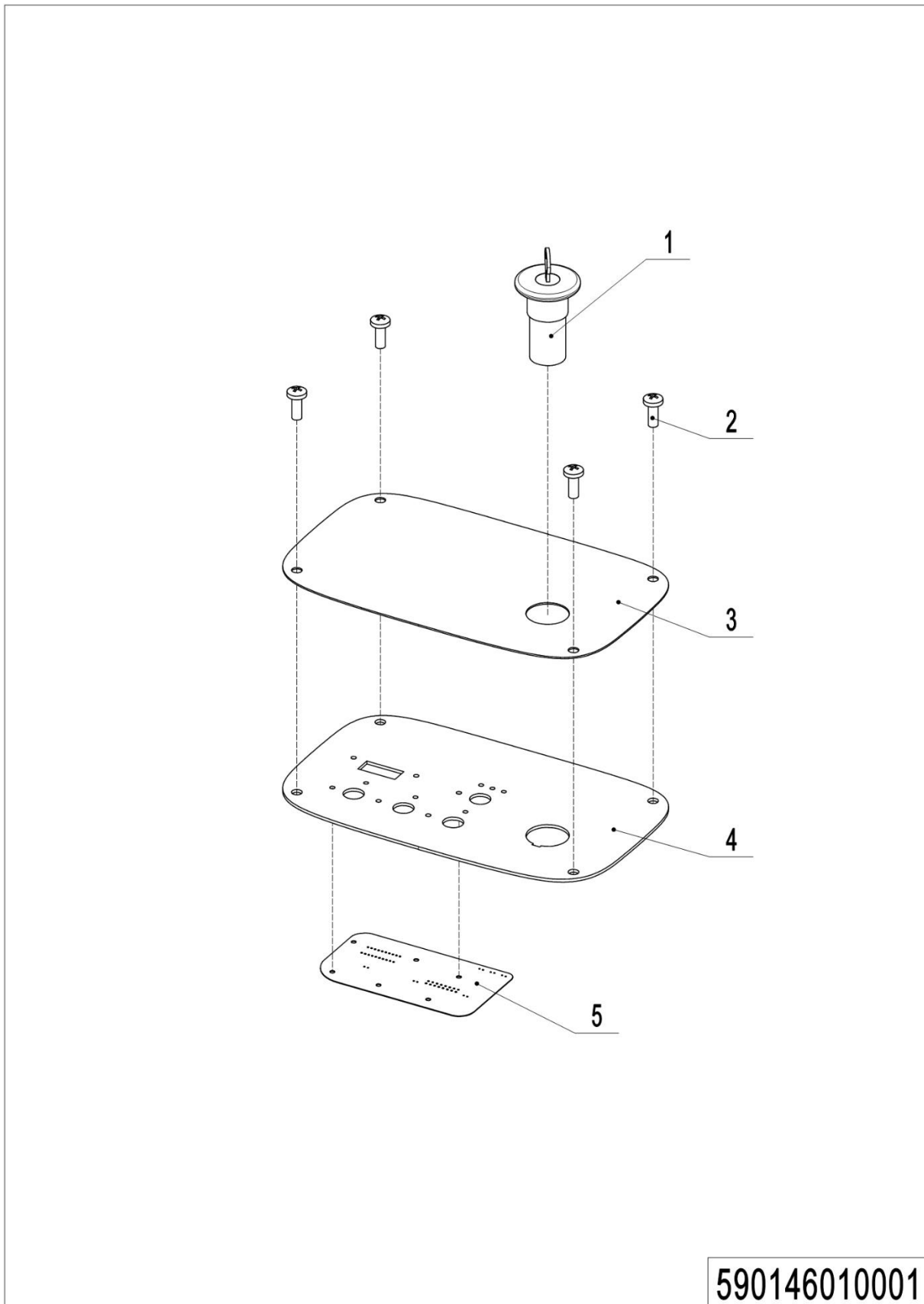
1= Supply as package. 2= Supply with constraints. 3= Phasing-out supply. 4= Supply as assembly. 5= Check other tables.

07 Wheels (590146017001)

No.	Item Code	Mark	Item Description	Qty.	Substitute	Note
1	590198520104		Screw M8x16	2		
2	590198520103		Gasket	2		
3	590198520022		Wheel	2		
4	590198520012		Spacer Bush	2		
5	590198520098		Screw M8x20	8		
6	590198520066		Nut M8	8		
7	590198520029		Wheel Shaft	1		

Chapter 2: Electrical parts

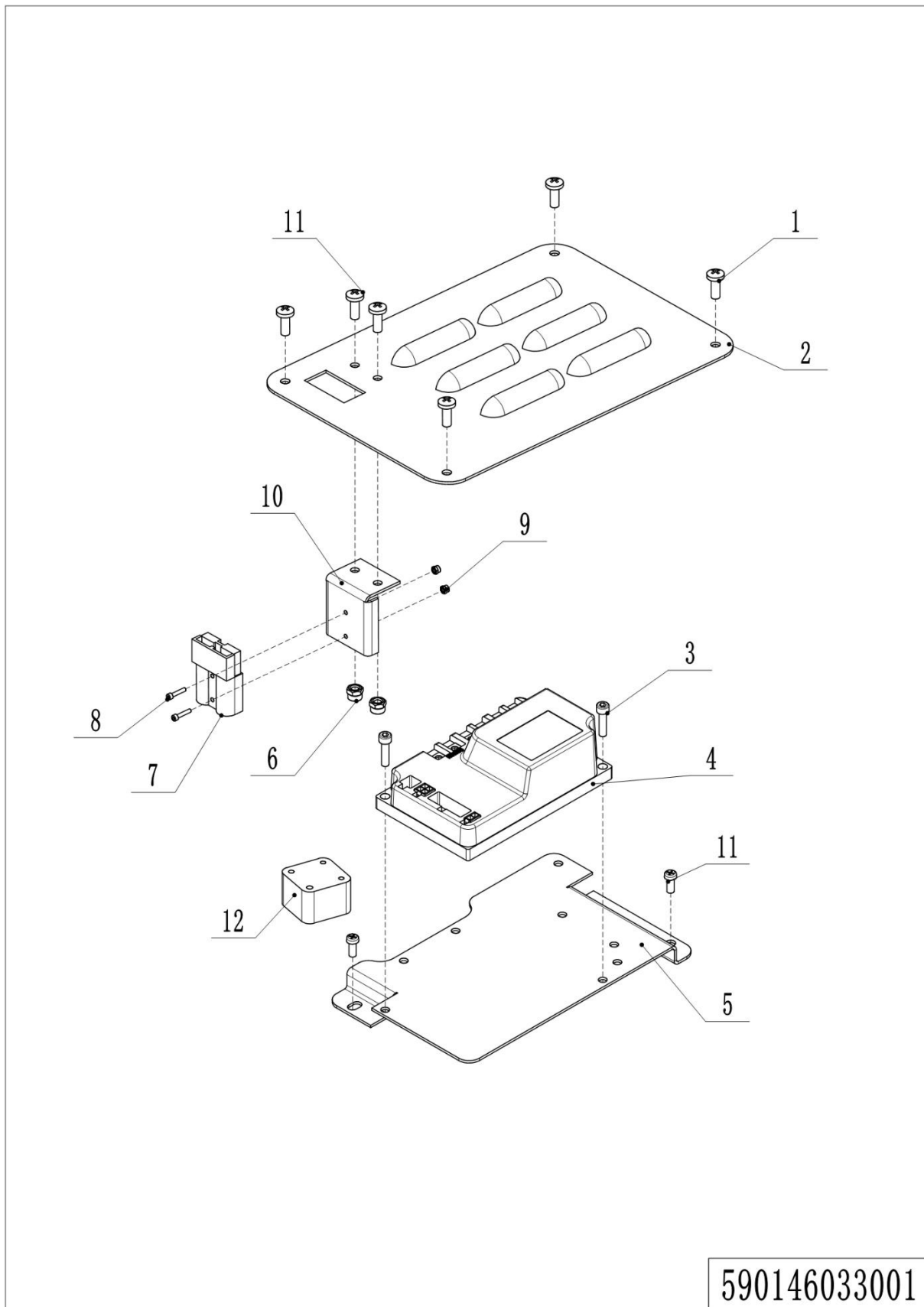
01 Operating panel (590146010001)



01 Operating panel (590146010001)

No.	Item Code	Mark	Item Description	Qty.	Substitute	Note
1	590198520156		Key Switch	1		
1	590398520111		Key Switch	1		For Li-battery
2	590198520093		Screw M5x12	4		
3	590198520157		Label	1		
4	590198520158		Mounting Plate	1		
4	590198520210		Mounting Plate	1		For Li-battery
5	590198520159		PCB	1		

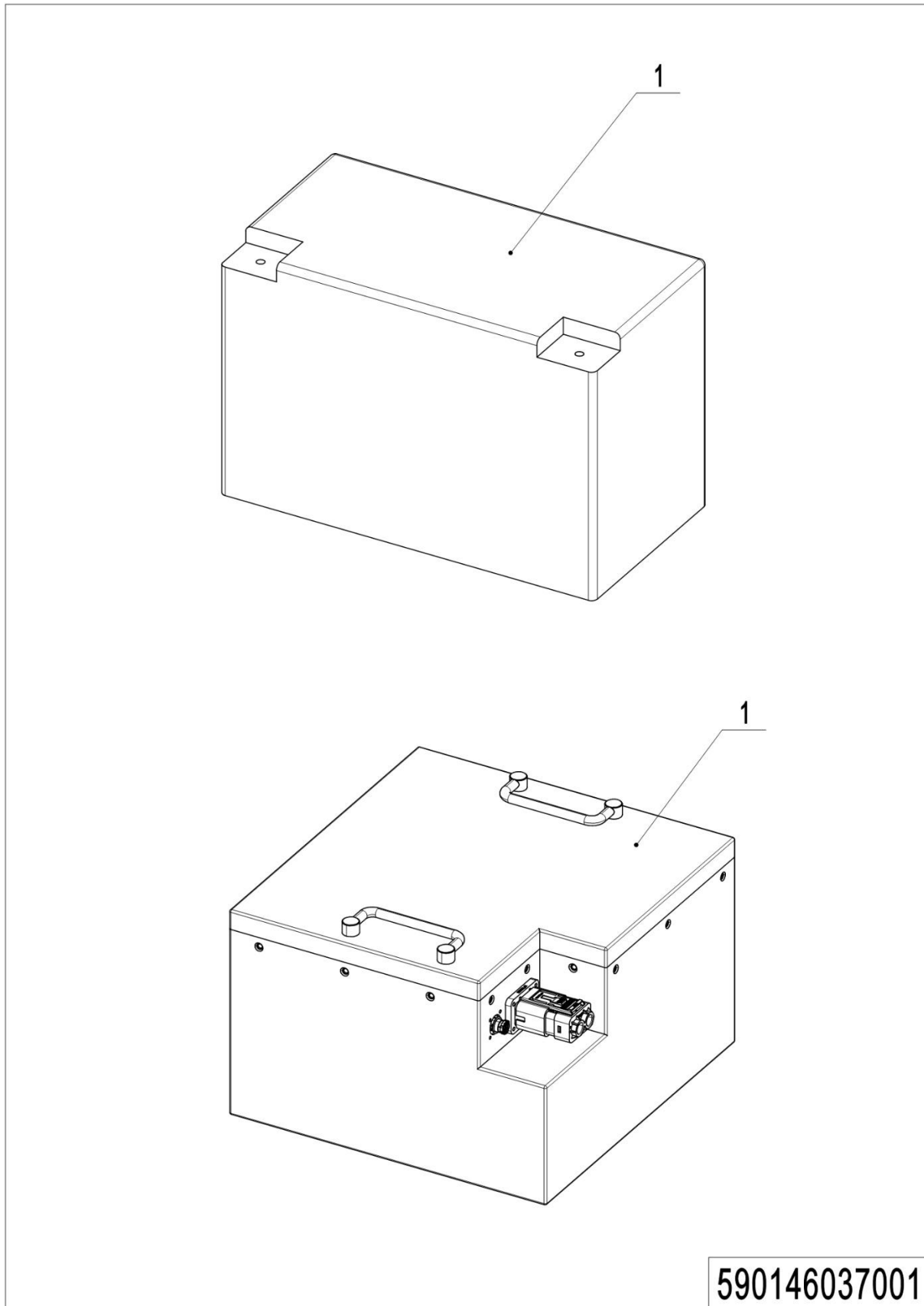
02 Electronic control components (590146033001)



02 Electronic control components (590146033001)

No.	Item Code	Mark	Item Description	Qty.	Substitute	Note
1	590198520191		Screw M5x8	4		
2	590198520047		Mounting Plate	1		
2	590198520221		Mounting Plate	1		For Li-battery
3	590198520198		Screw M6x20	2		
4	590198510002		Controller(NB530)	1		
5	590198520046		Mounting Plate	1		
6	590198520068		Nut M5	2		
7	590198520141		Wire Harness	1		
8	590198520101		Screw M3x25	2		
9	590198520102		Nut M3	2		
10	590198520048		Fixed Plate	1		
10	590198520213		Fixed Plate	1		For Li-battery
11	590198520093		Screw M5x12	4		
12	590198520214		CAN Box	1		For Li-battery

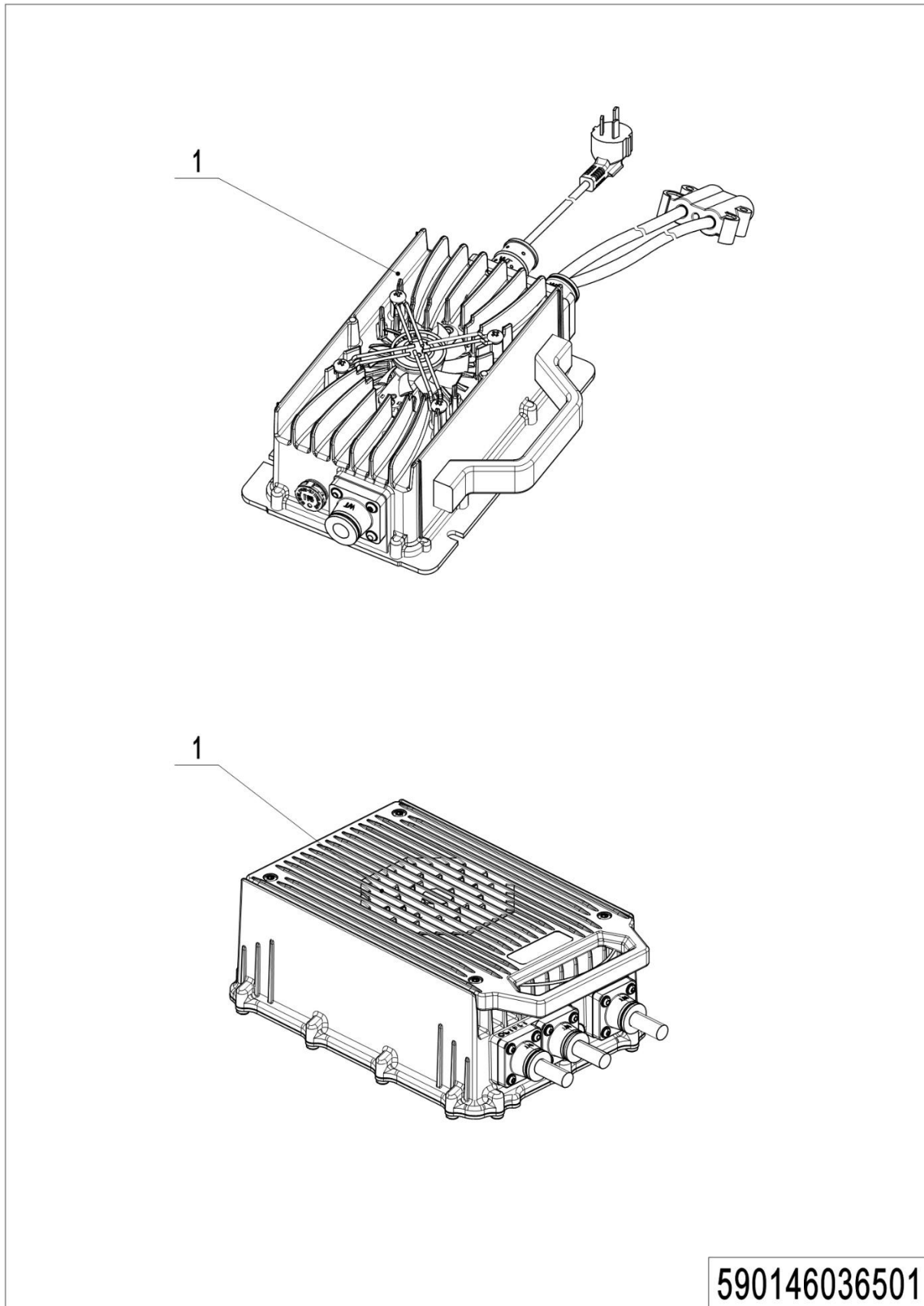
03 Traction Battery (590146037001)



03 Traction Battery (590146037001)

No.	Item Code	Mark	Item Description	Qty.	Substitute	Note
1	590198520154		Battery 12V100Ah	2		
1	920600100756		Li-Battery 25.6V100Ah	1		For Li-battery

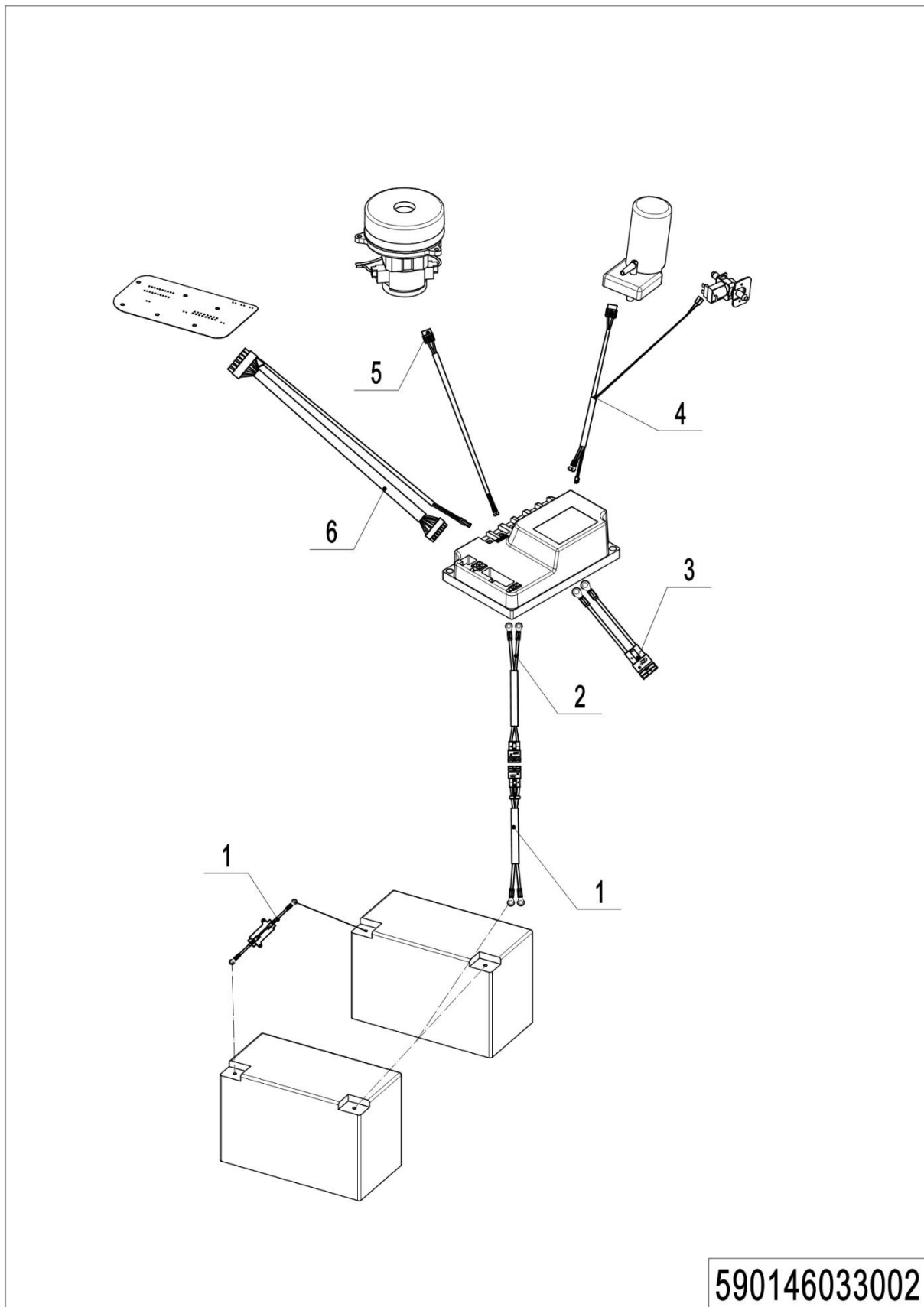
04 Charger (590146036501)



04 Charger (590146036501)

No.	Item Code	Mark	Item Description	Qty.	Substitute	Note
1	590198520155		Charger 24V15A(Asia)	1		
1	590198520182		Charger 24V15A(ENG)	1		
1	590198520183		Charger 24V15A(USA)	1		
1	590198520184		Charger 24V15A(EU)	1		
1	590198520185		Charger 24V15A(AUS)	1		
1	590198520186		Charger 24V15A(ITA)	1		
1	590198520187		Charger 24V15A(CH)	1		
1	590198520188		Charger 24V15A(ISR)	1		
1	590198520189		Charger 24V15A(BRA)	1		
1	921000201216		Li-Charger 24V25A(Asia)	1		Single-phase 110-240V
1	921000201169		Li-Charger 24V25A(USA)	1		Single-phase 110-240V
1	921000201171		Li-Charger 24V25A(EU)	1		Single-phase 110-240V
1	921000201217		Li-Charger 24V25A(ENG)	1		Single-phase 110-240V
1	921000201218		Li-Charger 24V25A(AUS)	1		Single-phase 110-240V
1	921000201219		Li-Charger 24V25A(ITA)	1		Single-phase 110-240V
1	921000201220		Li-Charger 24V25A(CH)	1		Single-phase 110-240V
1	921000201221		Li-Charger 24V25A(ISR)	1		Single-phase 110-240V
1	921000201222		Li-Charger 24V25A(BRA)	1		Single-phase 110-240V
1	504636510000		Li-Charger 24V40A(Asia)	1		
1	504636510001		Li-Charger 24V40A(EU)	1		
1	504636510002		Li-Charger 24V40A(AUS)	1		
1	504636510003		Li-Charger 24V40A(ENG)	1		
1	504636510006		Li-Charger 24V40A(ITA)	1		
1	504636510007		Li-Charger 24V40A(CH)	1		
1	504636510008		Li-Charger 24V40A(ISR)	1		
1	504636510009		Li-Charger 24V40A(BRA)	1		
1	921000201141		Li-Charger 24V50A(USA)	1		UL, Single-phase 110V

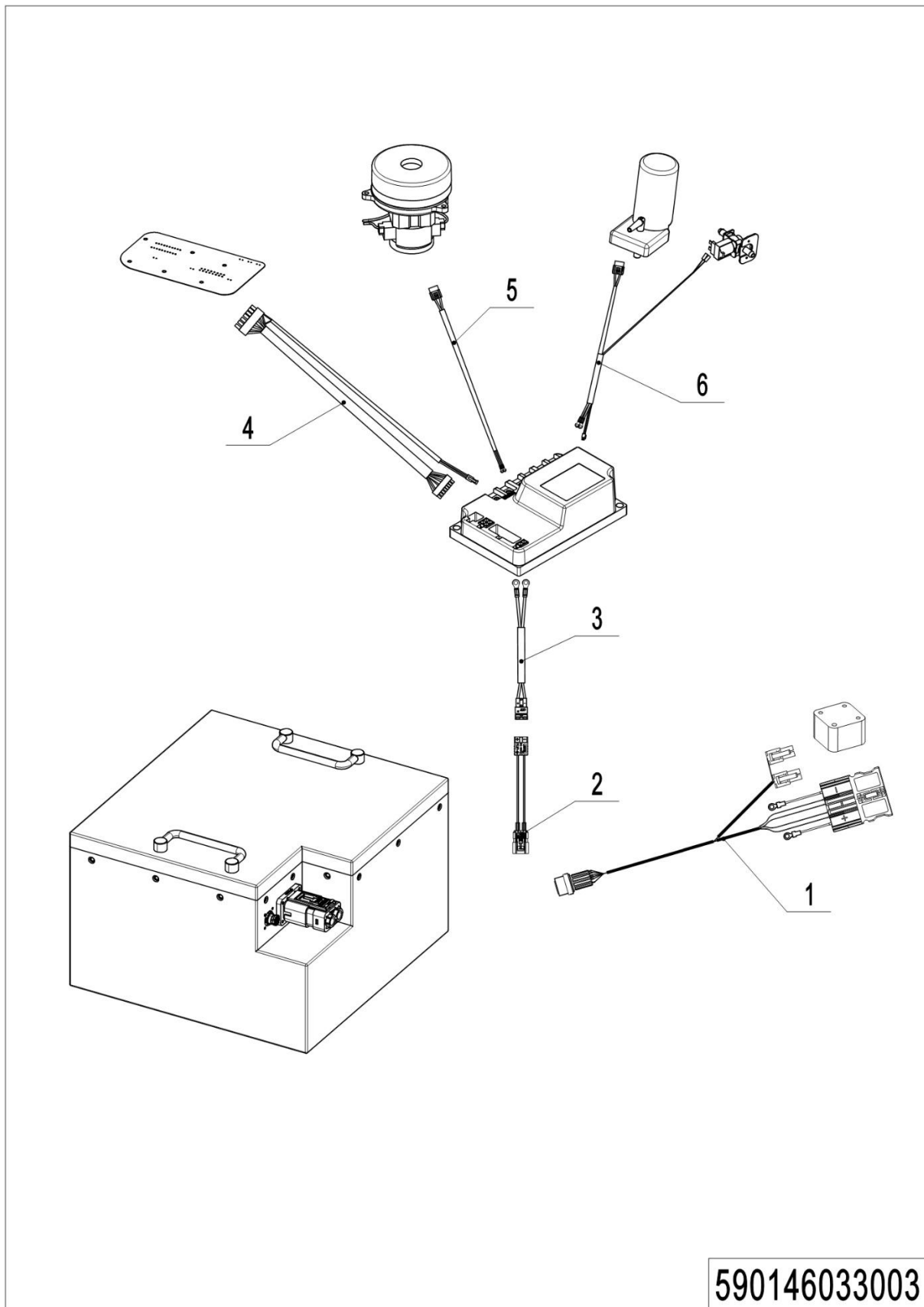
05 Wire Harness (Lead-acid battery)(590146033002)



05 Wire Harness (Lead-acid battery)(590146033002)

No.	Item Code	Mark	Item Description	Qty.	Substitute	Note
1	590198510004		Wire Harness	1		
2	590198520202		Wire Harness	1		
3	590198520141		Wire Harness	1		
4	590198510005		Wire Harness	1		
5	590198520201		Wire Harness	1		
6	590198520203		Wire Harness	1		

06 Wire Harness (Lithium battery) (590146033003)



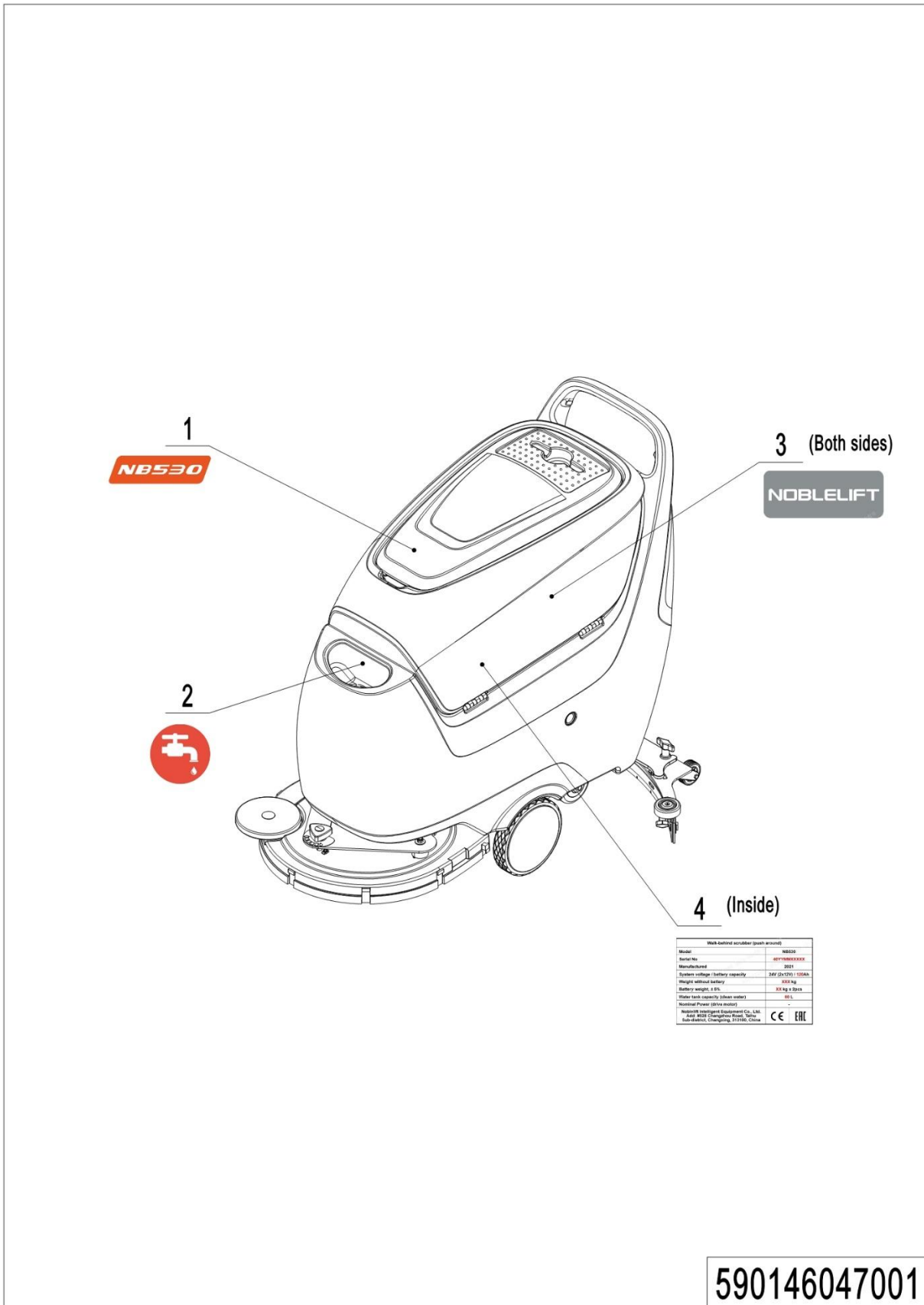
1= Supply as package. 2= Supply with constraints. 3= Phasing-out supply. 4= Supply as assembly. 5= Check other tables.

06 Wire Harness (Lithium battery) (590146033003)

No.	Item Code	Mark	Item Description	Qty.	Substitute	Note
1	590198520212		Wire Harness	1		For Li-battery
2	590198520216		Wire Harness	1		For Li-battery
3	590198520202		Wire Harness	1		For Li-battery
4	590198520222		Wire Harness	1		For Li-battery
5	590198520201		Wire Harness	1		For Li-battery
6	590198510005		Wire Harness	1		For Li-battery

Chapter 3: Others

01 Labels and decals (590146047001)



590146047001

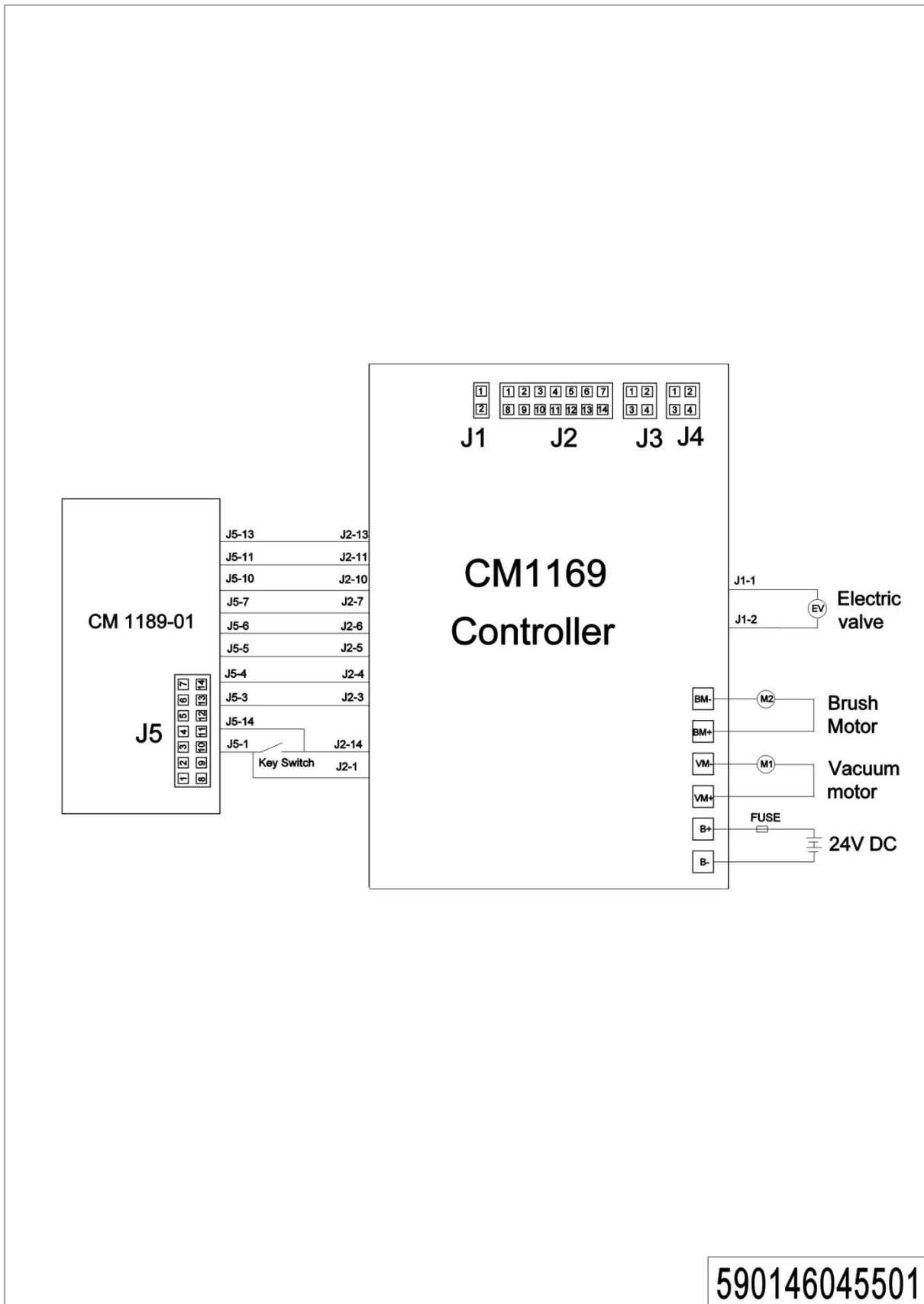
1= Supply as package. 2= Supply with constraints. 3= Phasing-out supply. 4= Supply as assembly. 5= Check other tables.

01 Labels and decals (590146047001)

No.	Item Code	Mark	Item Description	Qty.	Substitute	Note
1	590147020001		Label(NB530)	1		
2	590198520166		Label	1		
3	590747020000		Label(NOBLELIFT)	2		
4	590198520167		Identification Plate	1		

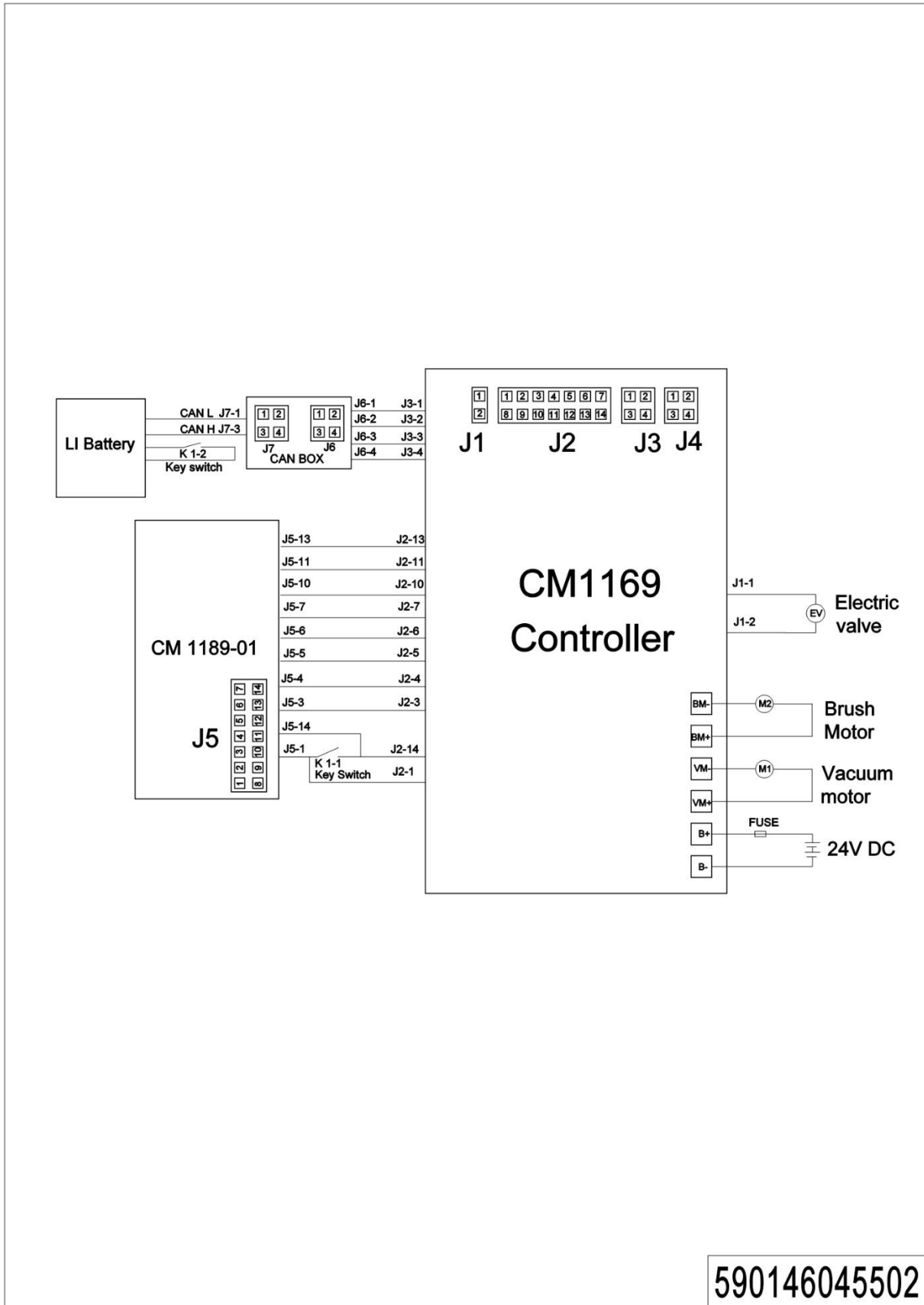
Appendix

01 Electrical Circuit Diagram (Lead-acid battery)(590146045501)



1= Supply as package. 2= Supply with constraints. 3= Phasing-out supply. 4= Supply as assembly. 5= Check other tables.

02 Electrical Circuit Diagram (Lithium battery)(590146045502)



1= Supply as package. 2= Supply with constraints. 3= Phasing-out supply. 4= Supply as assembly. 5= Check other tables.

02 Easy Wornout Parts List

No.	Item Code	Item Description	Qty.	Chapter/ Section/ Number
1	590198520129	Hinge	2	Chapter 1/01/01
2	590198520060	Filter Foam	1	Chapter 1/01/03
3	590198520015	Floating Ball	1	Chapter 1/02/01
4	590198520014	Floating Ball Cage	1	Chapter 1/02/03
5	590198520064	Drain Hose	1	Chapter 1/02/06
6	590198520063	Suction Pipe	1	Chapter 1/02/07
7	590198520061	Sealing Strip	1.72	Chapter 1/02/09
8	590398510007	Vacuum Motor	1	Chapter 1/02/16
9	590198520032	Absorber	1	Chapter 1/03/07
10	590198510000	Brush Motor	1	Chapter 1/03/30
11	590198520045	Locator Plate	1	Chapter 1/03/32
12	590198520010	Brush Buckle	1	Chapter 1/03/33
13	590198520163	Needle Disk	1	Chapter 1/03/37
14	590198520005	Universal Caster	2	Chapter 1/04/18
15	590198520131	Bumper Wheel	2	Chapter 1/05/07
16	590198520026	Support Bracket	1	Chapter 1/05/22
17	590198520133	Wheel	2	Chapter 1/05/35
18	590198510003	Squeegee Kit	1	Chapter 1/05/38
19	590198520140	Solenoid Valve	1	Chapter 1/06/03
20	590198520134	Filter	1	Chapter 1/06/05
21	590198520147	Valve	1	Chapter 1/06/07
22	590198520022	Wheel	2	Chapter 1/07/03
23	590198520156	Key Switch	1	Chapter 2/01/01

03 Consumables list

No.	Item Code	Item Description	Qty.	Chapter/ Section/ Number
1	590198520162	Brush	1	Chapter 1/03/37
	590798520110	Brush(Soft)	1	Chapter 1/03/37
	590798520111	Brush(Hard)	1	Chapter 1/03/37
2	590198520138	Rear Blade	1	Chapter 1/05/11
	590198520160	Rear Blade(NR)	1	Chapter 1/05/11
	590198520164	Rear Blade(PU)	1	Chapter 1/05/11
3	590198520137	Front Blade	1	Chapter 1/05/32
	590198520161	Front Blade(NR)	1	Chapter 1/05/32
	590198520165	Front Blade(PU)	1	Chapter 1/05/32
4	590198520168	White Pad	1	USE WITH PAD DRIVER
	590198520169	Red Pad	1	USE WITH PAD DRIVER
	590198520170	Black Pad	1	USE WITH PAD DRIVER