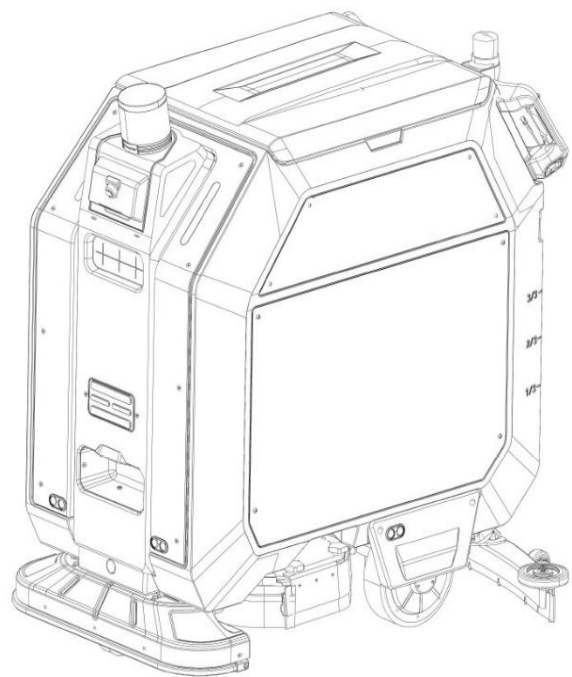


ANB510 Autonomous Scrubber Dryer

PARTS MANUAL

590946021106



Version: V06

Truck Identification Number From :

Parts Manual

ANB510-PM06EN

Please order spare parts from authorized dealers of our Company.

In order to avoid wrong delivery, all the orders for spare parts should specify the following items:

- Truck model, identification number and manufacture year.
- Orders for spare parts of mast, hydraulic transmission unit, steering axle, motor, etc. shall indicate the manufacture number of these parts.
- Codes for Our Company spare parts are shown in the table of parts manual. Please also pay attention to the description of supply status, order quantity, etc. (check the number listed in "Mark" column of the parts manual).

"Mark" Column:

The unmarked indicates the parts are in short supply cycle.

Number 1: supply as package. Indicating these that parts are small parts and seal parts, which are supplied in package unit and in short supply cycle.

Number 2: supply with constraints. Indicating that these spare parts are not in stock and will be prepared for production after receiving the order from customers, which are in long supply cycle.

Number 3: phasing-out supply. Indicating that these parts will be replaced by new parts due to technical improvements and the current stock will not be available when these parts run out. Please check the description of technical improvements notice.

Number 4: supply as assembly. Indicating that these parts are assembly parts defined by manufacture process, which cannot be supplied as a single part.

Number 5: check other tables.

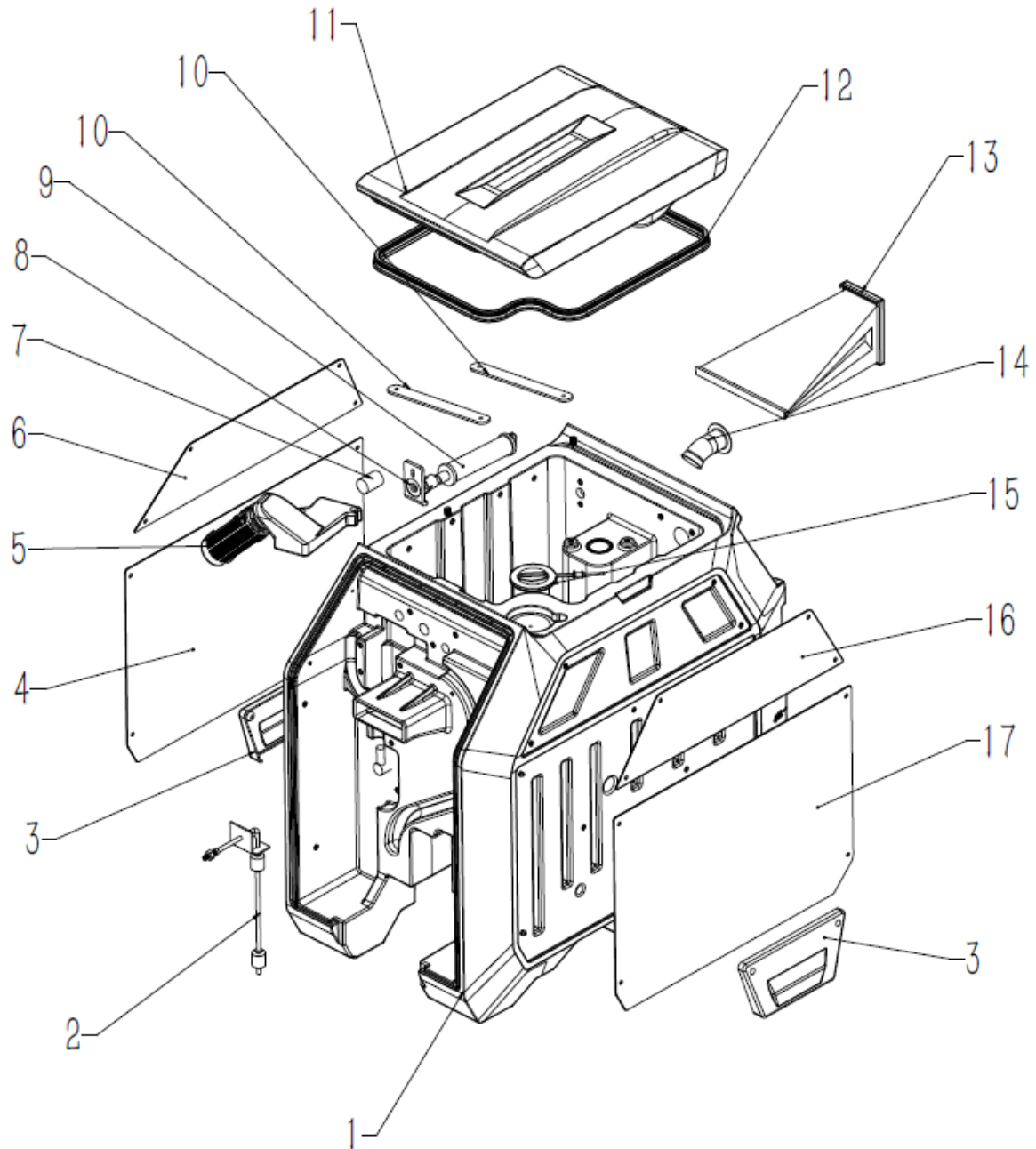
This parts manual is the property of Our Company and can be shared under the confidential agreement only, Our Company has the right to claim for compensation of any unauthorized use. Copy without permission is not allowed. Figures in the manual are not limited by the original design. our Company reserves the right to improve the products for continuous technology progress.

Table of Contents

Chapter 1: Body Structure.....	2
01 Water Tank (590946021511).....	2
01 Water Tank (590946021511) Continuation	4
02 Chassis (590946021512)	6
03 Squeegee (590946021513).....	8
04 Scrub Head (590946021514)	10
05 Solution Connection (590946021515)	12
Chapter 2: Electronic Control System	14
01 Front Control Unit (590946037011)	14
02 Rear Control Unit (590946037012)	16
03 Automatic Drain System (590946037013)	18
Appendix.....	20
01 Accessories.....	20
02 List Of Consumables	21

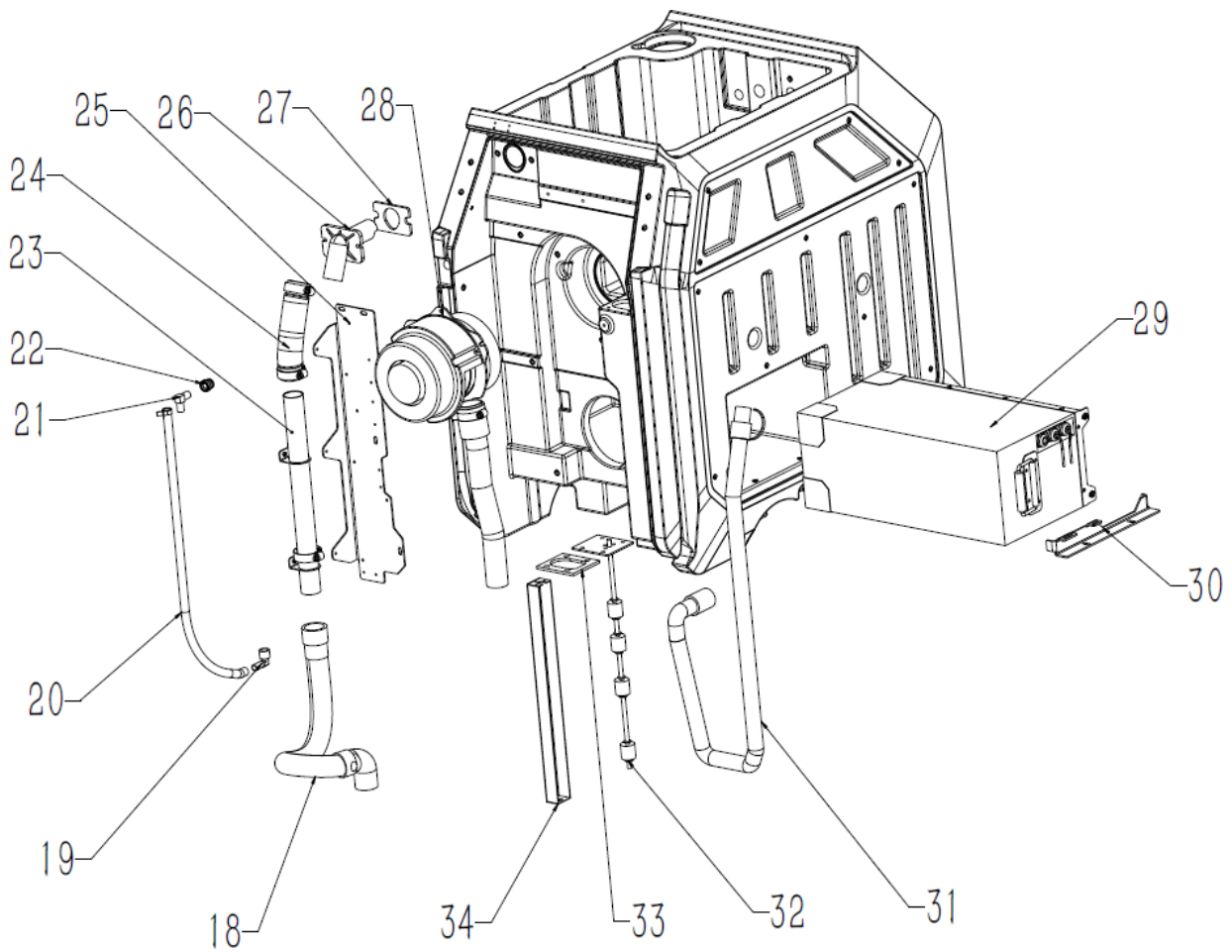
Chapter 1: Body Structure

01 Water Tank (590946021511)



01 Water Tank (590946021511)

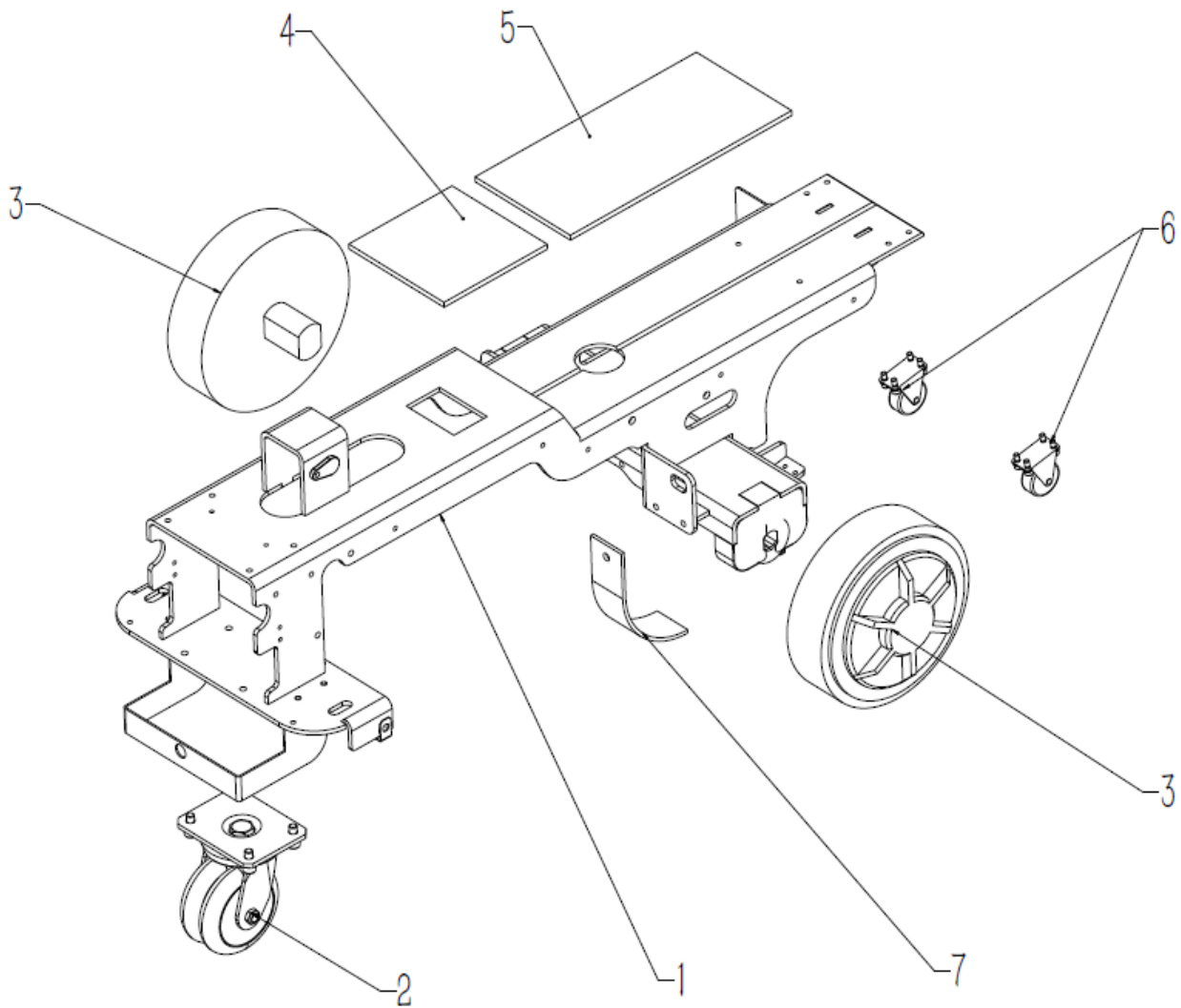
No.	Item Code	Mark	Item Description	Qty.	Substitute	Note
1	590998520430		Solution/Recovery Tank, PE	1		
2	590998520155		Recovery Tank Float Sensor, 24VDC	1		
3	590998520457		Wheel Cover, PE	2		
4	590998520460		Right Lower Cover, SUS304	1		
5	590998520291		Recovery Tank Float Kit	1		
6	590998520462		Right Upper Cover, SUS304	1		
7	590998520294		Vacuum Sensor Filter, G3/4	1		
8	590998520312		Recovery Tank Filter Base	1		
9	590998520443		Recovery Tank Filter	1		
10	590998520446		Recovery Tank Lid Strap	2		
11	590998520436		Recovery Tank Lid, PE	1		
12	590998520292		Recovery Tank Seal, Rubber	1		
13	590998520201		Debris Filter Bag	1		
14	590998520441		Bent Hose, Rubber	1		
15	590998520438		Solution Tank Lid, Rubber, Yellow	1		
16	590998520459		Left Upper Cover, SUS304	1		
17	590998520458		Left Lower Cover, SUS304	1		

01 Water Tank (590946021511) Continuation

01 Water Tank (590946021511) Continuation

No.	Item Code	Mark	Item Description	Qty.	Substitute	Note
18	590998520261		Corrugated Vacuum Hose	1		
19	590998520257		Elbow Fitting	1		
20	590998520252		Solution Tank Water Level/Drain Hose, PVC	1		
21	590998520253		Elbow Fitting, Plastic	1		
22	590998520440		Rubber Plug	1		
23	590998520429		Vacuum Pipe, SUS304	1		
24	590998520428		Vacuum Hose, Rubber	1		
25	590998520423		Bracket	1		
26	590998520431		Tube, Plastic	1		
27	590998520432		Gasket, Rubber	1		
28	590998520148		Vacuum Motor, 370W 24VDC	1		
29	590998520299		Battery	1		
30	590998520437		Battery Hold-down Bracket	1		
31	590998520540		Recovery Tank Drain Hose	1		
32	590998520156		Solution Tank Float Sensor, 24VDC	1		
33	590998520435		Gasket, Rubber, Solution Tank Float Sensor	1		
34	590998520434		Float Sensor Protective Cover, SUS304	1		

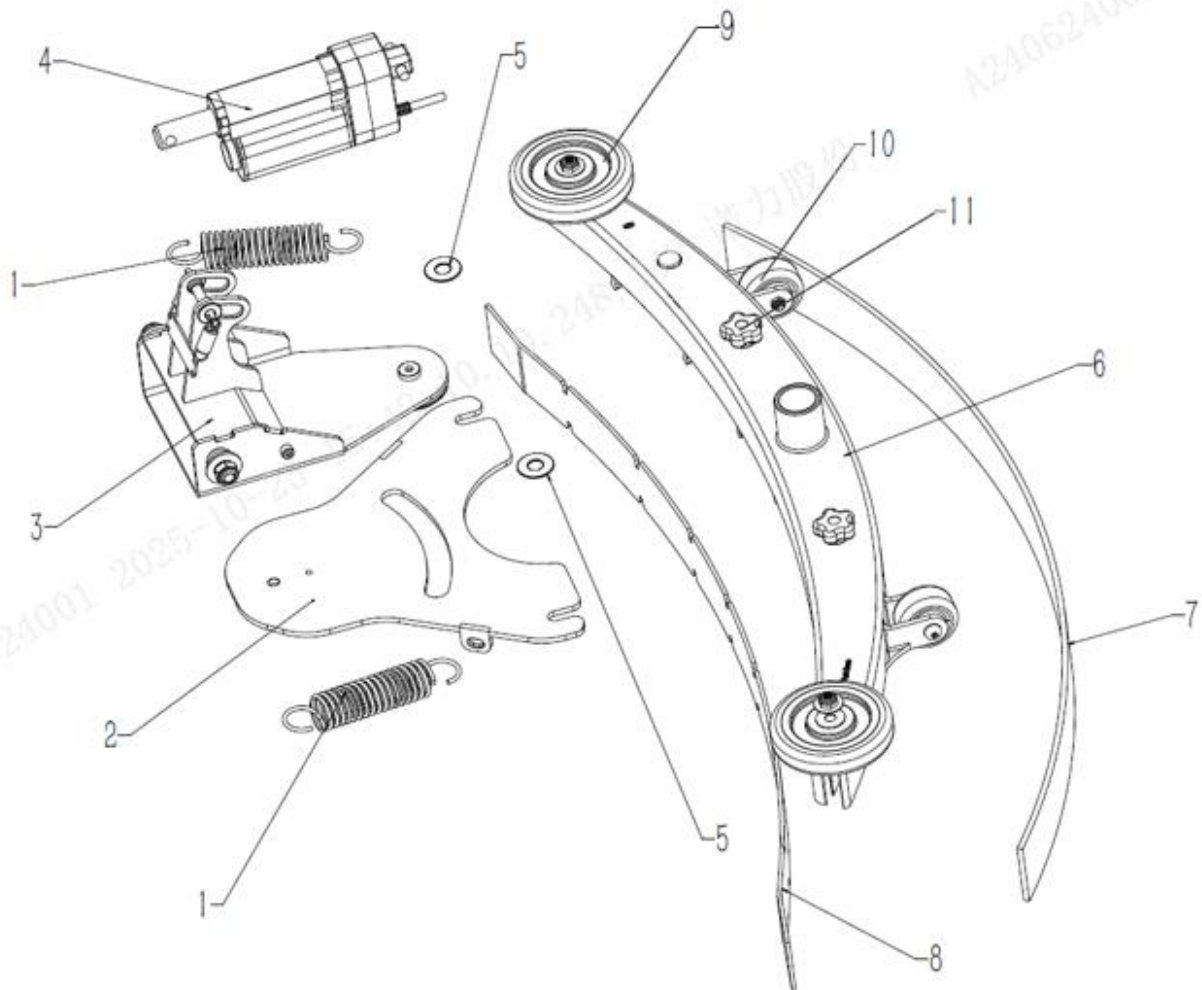
02 Chassis (590946021512)



1= Supply as package. 2= Supply with constraints. 3= Phasing-out supply. 4= Supply as assembly. 5= Check other tables.

02 Chassis (590946021512)

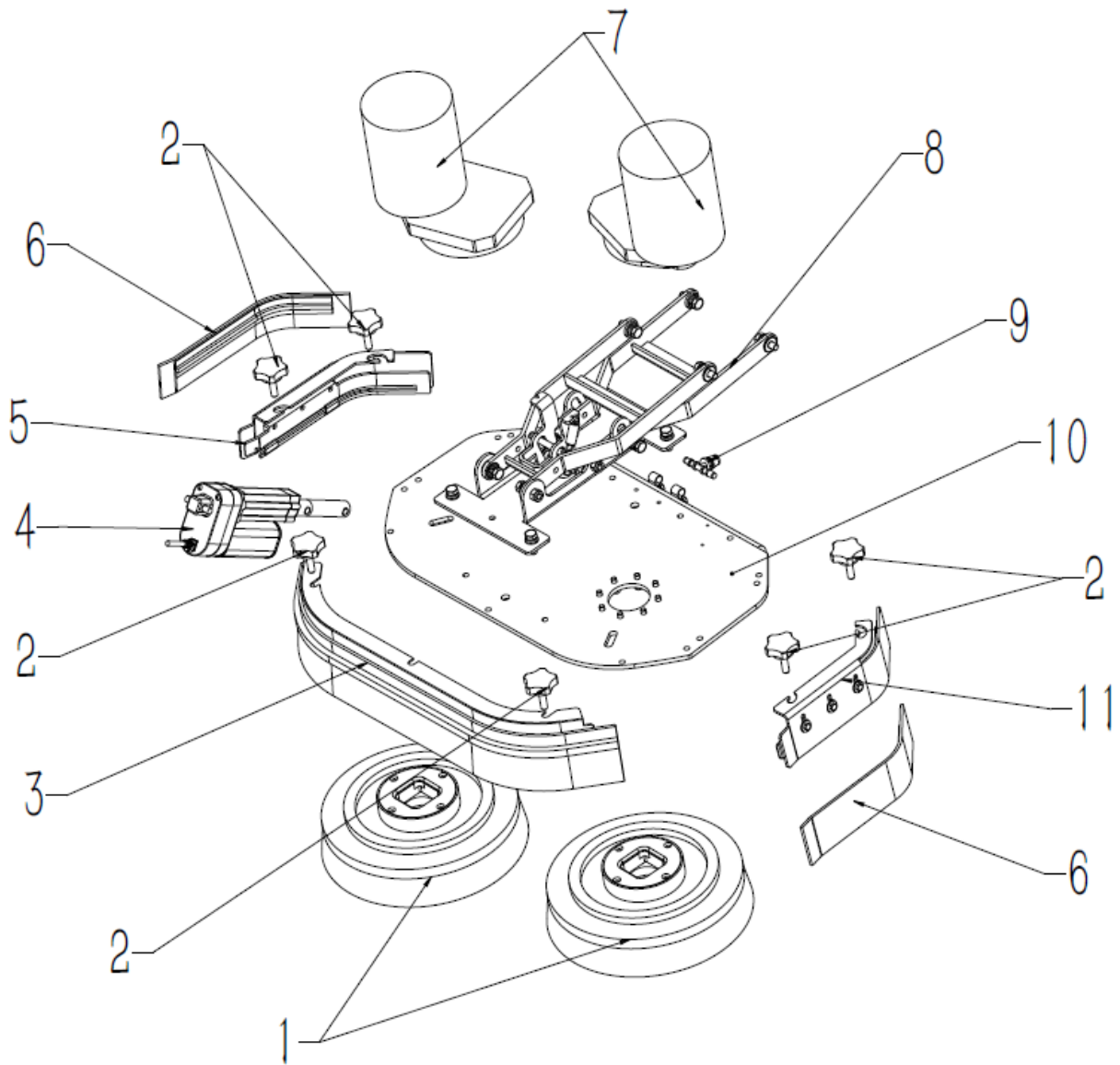
No.	Item Code	Mark	Item Description	Qty.	Substitute	Note
1	590998520495		Main Frame	1		
2	590998520188		Castor, 4 inches	1		
3	590998520136		Drive Wheel, 8 inches, 250W 24VDC	2		
4	590998520494		Front Rubber Cushion	1		
5	590998520493		Rear Rubber Cushion	1		
6	590998520492		Support Wheel, 1.5 inches	2		
7	590998520542		Conductive Rubber Strip	1		

03 Squeegee (590946021513)

1= Supply as package. 2= Supply with constraints. 3= Phasing-out supply. 4= Supply as assembly. 5= Check other tables.

03 Squeegee (590946021513)

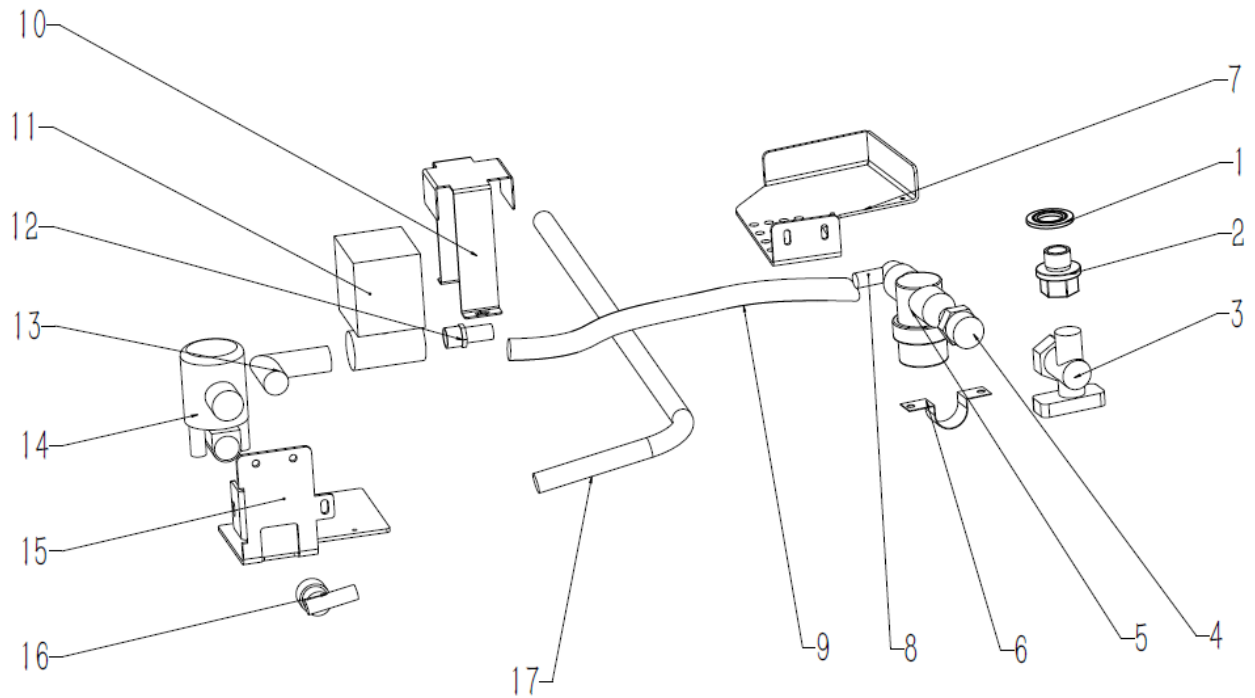
No.	Item Code	Mark	Item Description	Qty.	Substitute	Note
1	590998520491		Spring	2		
2	590998520505		Squeegee Bracket Kit, Width	1		
3	590998520506		Squeegee Bracket Kit, Lift	1		
4	590998520182		Electric Linear Actuator, Squeegee Lifting, Stroke 50mm, 24VDC	1		
5	590998520504		Washer, SUS304, 70	2		
6	590998520496		Squeegee, 800	1		
7	590998520197		Rear Squeegee Blade, LINATEX®(Red), 800	1		
8	590998520198		Front Squeegee Blade, LINATEX®(Red), 800	1		
9	590998520534		Anti-collision Wheel	2		
10	590998520535		Support Wheel	2		
11	590998520536		Fixed Handle	2		

04 Scrub Head (590946021514)

1= Supply as package. 2= Supply with constraints. 3= Phasing-out supply. 4= Supply as assembly. 5= Check other tables.

04 Scrub Head (590946021514)

No.	Item Code	Mark	Item Description	Qty.	Substitute	Note
1	590998510003		Disk Brush*, 9.5 inches	2		
2	590998520144		Knob, M8*16	6		
3	590998520203		Front Skirt	1		
4	590998520149		Electric Linear Actuator, Scrub Head Lifting, Stroke 80mm, 24VDC	1		
5	590998520509		Right Skirt Bracket	1		
6	590998520202		Right Skirt Blade	2		
7	590998520154		Brush Motor, 300W, 24VDC	2		
8	590998520510		Lifting Structure Kit	1		
9	590998520541		Tee	1		
10	590998520507		Plate	1		
11	590998520508		Left Skirt Bracket	1		

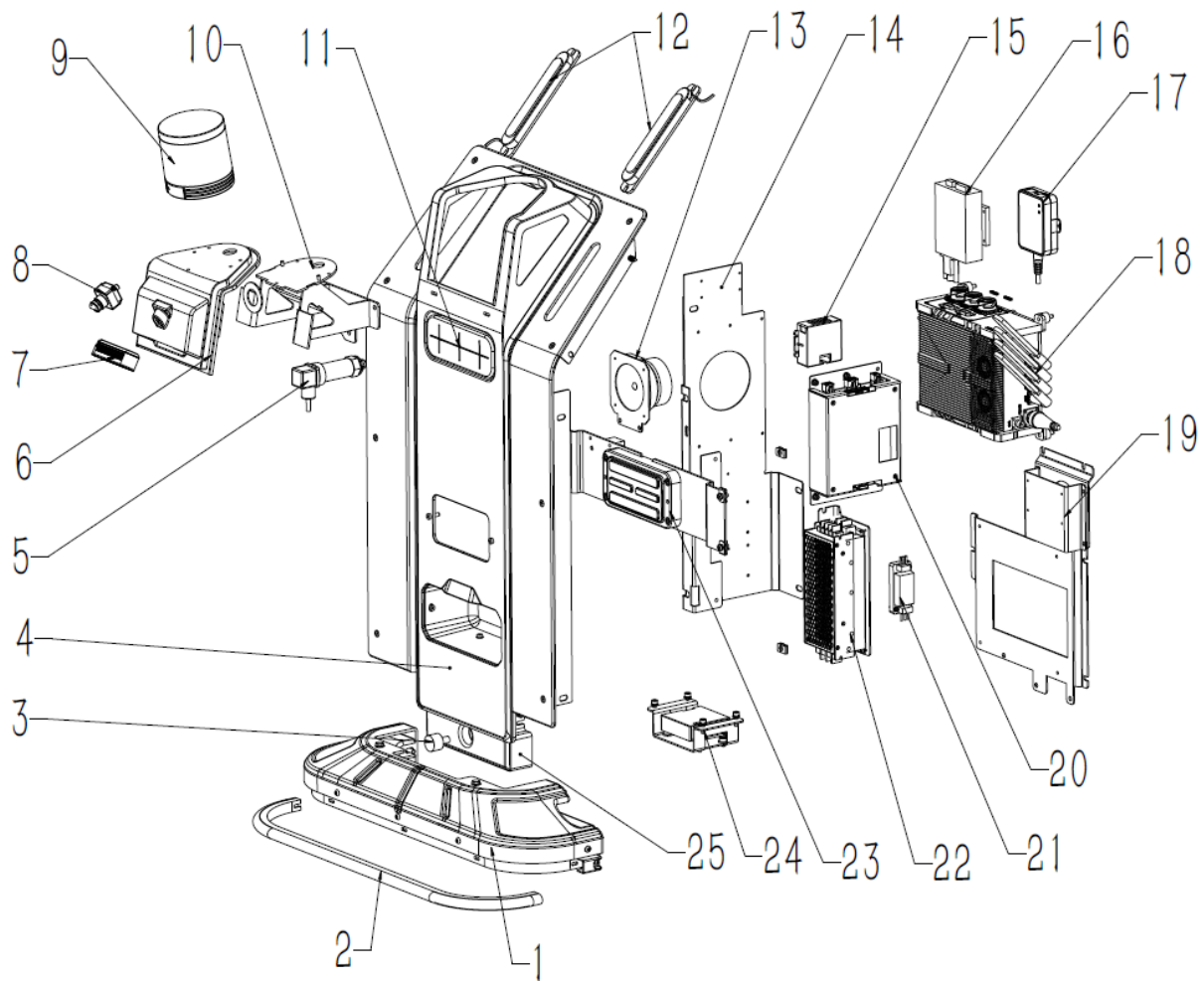
05 Solution Connection (590946021515)

05 Solution Connection (590946021515)

No.	Item Code	Mark	Item Description	Qty.	Substitute	Note
1	590998520293		O-ring	1		
2	590998520448		Connector	1		
3	590998520296		Manual Ball Valve	1		
4	590998520267		Straight Fitting	1		
5	590998520295		Solution Filter	1		
6	590998520289		Clamp	1		
7	590998520447		Solution Filter Mounting Bracket	1		
8	590998520254		Elbow Fitting	1		
9	590998520264		Solution Hose	1		
10	590998520439		Electric Ball Valve Mounting Bracket	1		
11	590998520489		Electric Ball Valve, 24VDC	1		
12	590998520255		Straight Fitting	1		
13	590998520256		Elbow Fitting	1		
14	590998520488		Solenoid Valve, 24VDC	1		
15	590998520433		Solenoid Valve Mounting Bracket	1		
16	590998520257		Elbow Fitting	1		
17	590998520264		Solution Hose	1		

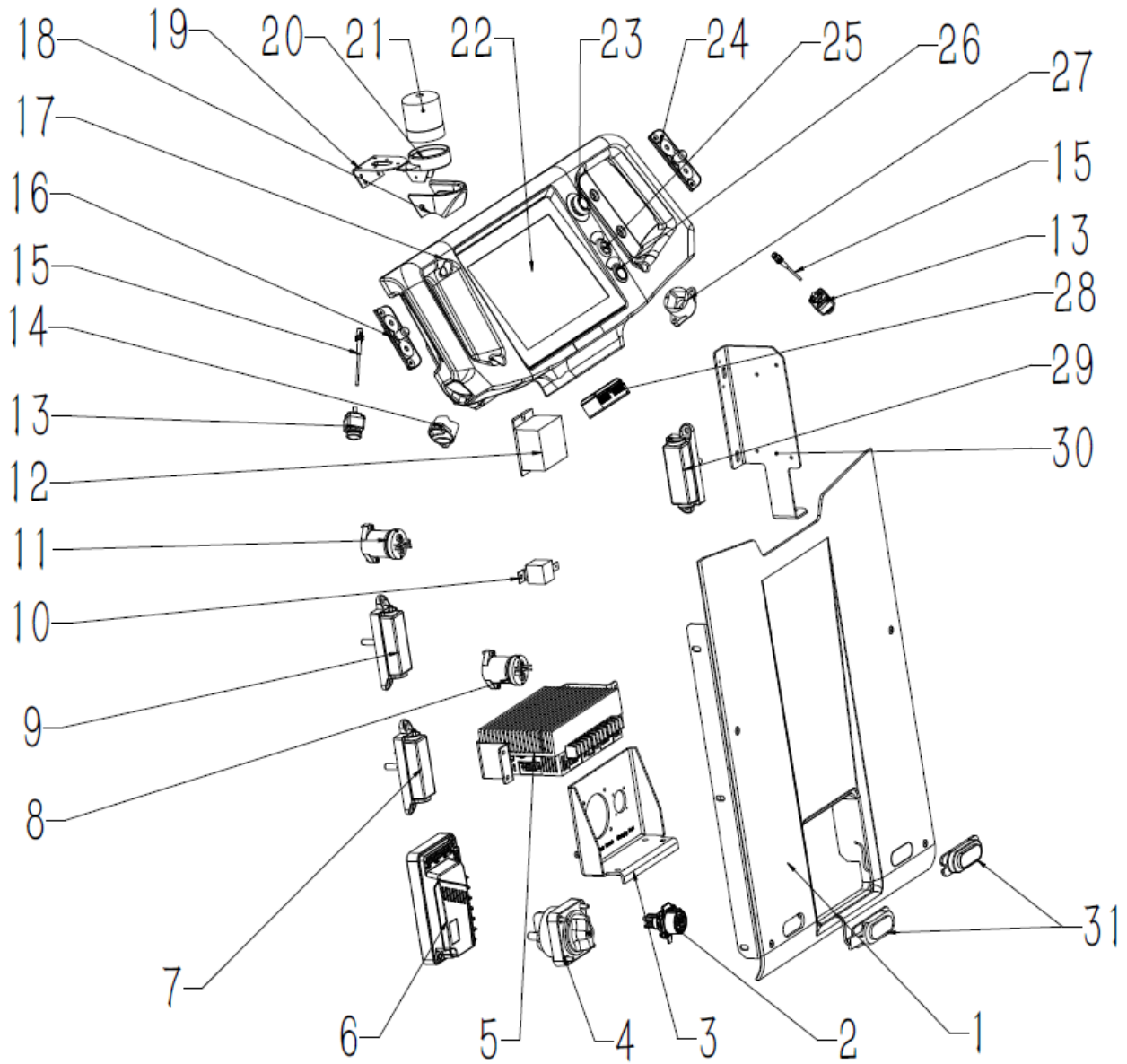
Chapter 2: Electronic Control System

01 Front Control Unit (590946037011)



01 Front Control Unit (590946037011)

No.	Item Code	Mark	Item Description	Qty.	Substitute	Note
1	590998520461		Rotomolded Bumper	1		
2	590998520308		Bumper Sensor, 24VDC	1		
3	590998520140		Supplementary Light, 10W 24VDC	1		
4	590998520449		Front Cover	1		
5	590998520481		Vacuum Sensor, 24VDC	1		
6	590998520450		Camera Mounting Bracket, Plastic	1		
7	590998520178		Front Depth Camera, 5VDC	1		
8	590998520180		Front Camera, 5VDC	1		
9	590998520186		3D LiDAR, 24VDC	1		
10	590998520418		3D LiDAR Mounting Bracket	1		
11	590998520419		Shield, Rubber	1		
12	590998520484		Front Indicator Light, 24VDC	2		
13	590998520307		Speaker, 20W	1		
14	590998520420		Bracket	1		
15	590998520469		Loudspeaker Power Amplifier, 24VDC	1		
16	590998520310		RS-485 to RS-232 Converter, 24VDC	1		
17	590998520309		3D LiDAR Controller Box with LiDAR Cable, 24VDC	1		
18	590998520537		ACU	1		
19	590998520421		Bracket	1		
20	590998520472		ECU, 24VDC	1		
21	590998520298		DC-DC Converter Module, 24VDC, 50W	1		
22	590998520297		DC-DC Converter Module, 24VDC, 150W	1		
23	590998520343		Charging Plates, Automatic Charging	1		
24	590998520470		IMU, 24VDC	1		
25	590998520452		Supplementary Light Housing, Plastic	1		

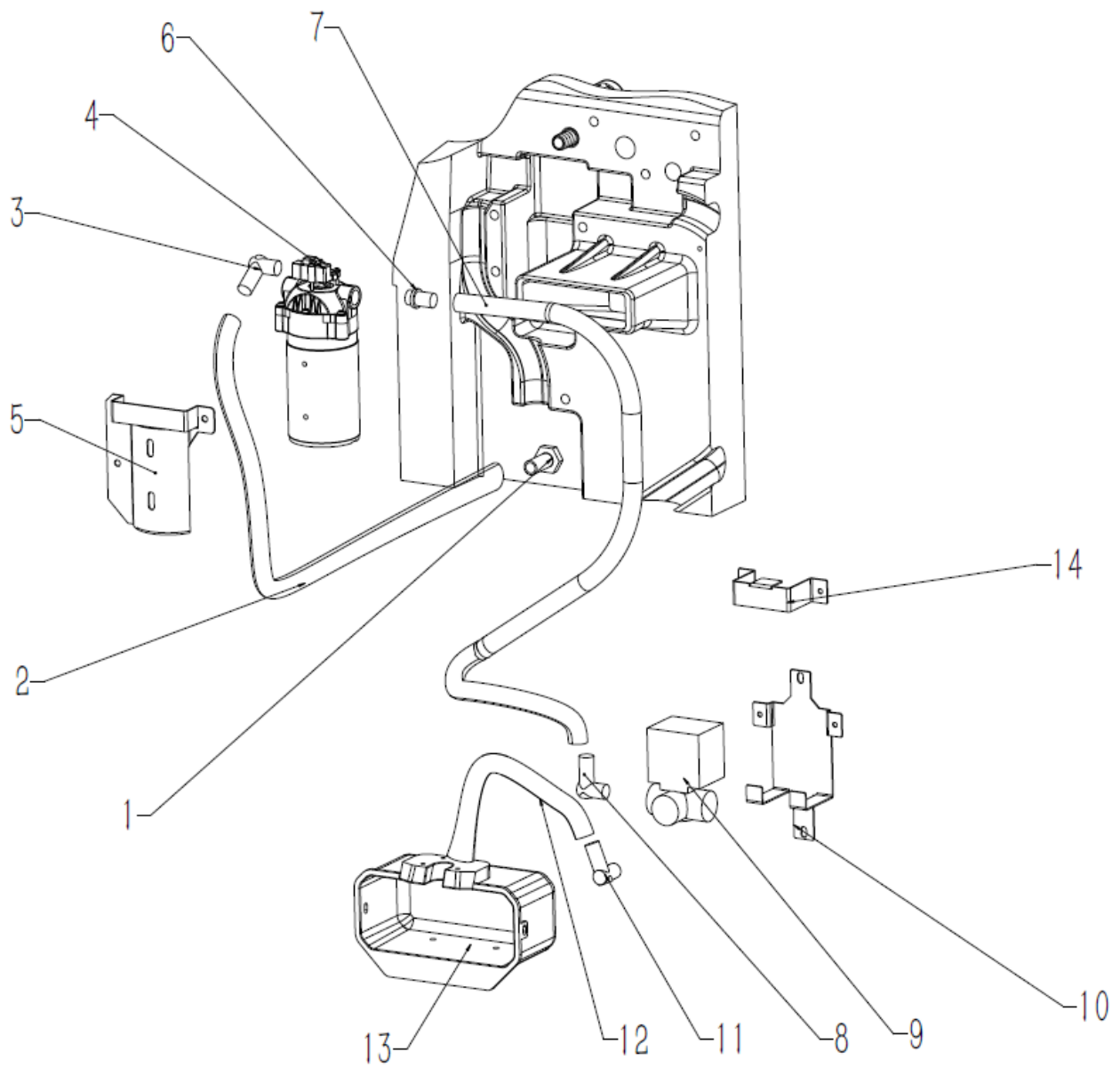
02 Rear Control Unit (590946037012)

1= Supply as package. 2= Supply with constraints. 3= Phasing-out supply. 4= Supply as assembly. 5= Check other tables.

02 Rear Control Unit (590946037012)

No.	Item Code	Mark	Item Description	Qty.	Substitute	Note
1	590998520453		Rear Cover	1		
2	590998520302		Manual Charging Port	1		
3	590998520422		Pedal, Bracket	1		
4	590998520300		Load-break Switch, 300A	1		
5	590998520150		Driving Wheel Driver, 24VDC	1		
6	590998520157		Motor Driver, 24VDC	1		
7	590998520304		Fuse, 70A 24VDC	1		
8	590998520311		Contactora, 100A 24VDC	1		
9	590998520305		Fuse, 40A 24VDC	1		
10	590998520176		Contactora, 40A 24VDC	1		
11	590998520311		Contactora, 100A 24VDC	1		
12	590998520301		Terminal Block	1		
13	590998520181		Camera, 5VDC	2		
14	590998520456		Left Camera Mounting Bracket, Plastic	1		
15	590998520306		Camera Cable, 3m	2		
16	590998510002		Left Assist Power Button Assembly	1		
17	590998520454		Rotomolded Handle, PE	1		
18	590998520427		Warning Light Base Part 1, Rubber	1		
19	590998520425		Warning Light Base Part 2	1		
20	590998520426		Warning Light Base Part 3, Rubber	1		
21	590998520486		Warning Light, Yellow Light, 24VDC	1		
22	590998520179		Touch Screen, 10.1in, 24VDC	1		
23	590998520482		Emergency Stop Button	1		
24	590998510001		Right Assist Power Button Assembly	1		
25	590998520483		Key Switch	1		
26	590998520480		Automatic/Manual Mode Switch	1		
27	590998520455		Left Camera Mounting Bracket, Plastic	1		
28	590998520178		Depth Camera, 5VDC	1		
29	590998520303		Fuse, 125A 24VDC	1		
30	590998520424		Fuse Mounting Bracket	1		
31	590998520485		Rear Indicator Light, 24VDC	2		

1= Supply as package. 2= Supply with constraints. 3= Phasing-out supply. 4= Supply as assembly. 5= Check other tables.

03 Automatic Drain System (590946037013)

1= Supply as package. 2= Supply with constraints. 3= Phasing-out supply. 4= Supply as assembly. 5= Check other tables.

03 Automatic Drain System (590946037013)

No.	Item Code	Mark	Item Description	Qty.	Substitute	Note
1	590998520251		Connector	1		
2	590998520260		Automatic Drain Hose Part 1	1		
3	590998520258		Elbow Fitting	1		
4	590998520487		Drain Pump, 80W 24VDC	1		
5	590998520442		Pump Mounting Bracket	1		
6	590998520259		Straight Fitting	1		
7	590998520265		Automatic Drain Hose Part 2	1		
8	590998520263		Elbow Fitting	1		
9	590998520490		Electric Three-way Solenoid Valve, 24VDC	1		
10	590998520444		Electric Three-way Solenoid Valve Mounting Bracket Part 1	1		
11	590998520263		Tee, Plastic	1		
12	590998520260		Automatic Drain Hose Part 2	1		
13	590998520451		Drain Port Housing	1		
14	590998520445		Electric Three-way Solenoid Valve Mounting Bracket Part 2	1		

Appendix

01 Accessories

No.	Item Code	Item Description	Qty.	Type
1	590998520194	Manual Charger, 100~240VAC, 28.8VDC 30A	1	Standard
2	590998520515	Disk Brush, White	2	Standard
3	590998520513	Disk Brush, Black	2	Optional
4	590998520516	Pad Driver	2	Standard
5	590998520207	Pad, Red	2	Standard
6	590998520206	Pad, White	2	Standard
7	590998520496	Squeegee, 800	1	Standard
8	590998520197	Rear Squeegee Blade, LINATEX®(Red), 800	1	Standard
9	590998520198	Front Squeegee Blade, LINATEX®(Red), 800	1	Standard
10	590998520199	Front Squeegee Blade, PRIMOthane®(Blue), 800	1	Standard
11	590998520200	Rear Squeegee Blade, PRIMOthane®(Blue), 800	1	Standard
12	590998520514	Squeegee, 770	1	Optional
13	590998520517	Front Squeegee Blade, LINATEX®(Red), 770	1	Optional
14	590998520518	Rear Squeegee Blade, LINATEX®(Red), 770	1	Optional
15	590998520519	Front Squeegee Blade, PRIMOthane®(Blue), 770	1	Optional
16	590998520520	Rear Squeegee Blade, PRIMOthane®(Blue), 770	1	Optional
17	590998520201	Debris Filter Bag	1	Standard
18	590998520512	Maintenance Brush	1	Standard
19	590998520511	Vacuum Hose Cleaning Tool	1	Standard

02 List Of Consumables

No.	Item Code	Item Description	Qty.	Chapter/ Section/ Number
1	590998510003	Disk Brush	2	Chapter1 /04/01
2	590998520207	Pad, Red	2	-
3	590998520206	Pad, White	2	-
4	590998520197	Rear Squeegee Blade, LINATEX®(Red), 800	1	Chapter1 /03/07
5	590998520198	Front Squeegee Blade, LINATEX®(Red), 800	1	Chapter1 /03/08
6	590998520199	Front Squeegee Blade, PRIMOthane®(Blue), 800	1	-
7	590998520200	Rear Squeegee Blade, PRIMOthane®(Blue), 800	1	-
8	590998520201	Debris Filter Bag	1	Chapter1 /01/13
9	590998520443	Recovery Tank Filter	1	Chapter1 /01/09
10	590998520516	Pad Driver	2	-