

NOBLELIFT

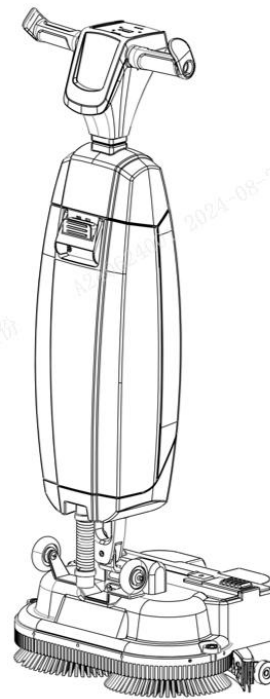


Scan QR Code for More

Electric-Scrubber NB100

PARTS MANUAL

591146020105



Version: V05

Truck Identification Number From :

Parts Manual

NB100-PM05

Please order spare parts from authorized dealers of Noblelift Intelligent Equipment Co., LTD.

In order to avoid wrong delivery, all the orders for spare parts should specify the following items:

- Truck model, identification number and manufacture year.
- Orders for spare parts of mast, hydraulic transmission unit, steering axle, motor, etc. shall indicate the manufacture number of these parts.
- Codes for Noblelift spare parts are shown in the table of parts manual. Please also pay attention to the description of supply status, order quantity, etc. (check the number listed in "Mark" column of the parts manual).

"Mark" Column:

The unmarked indicates the parts are in short supply cycle.

Number 1: supply as package. Indicating these that parts are small parts and seal parts, which are supplied in package unit and in short supply cycle.

Number 2: supply with constraints. Indicating that these spare parts are not in stock and will be prepared for production after receiving the order from customers, which are in long supply cycle.

Number 3: phasing-out supply. Indicating that these parts will be replaced by new parts due to technical improvements and the current stock will not be available when these parts run out. Please check the description of technical improvements notice.

Number 4: supply as assembly. Indicating that these parts are assembly parts defined by manufacture process, which cannot be supplied as a single part.

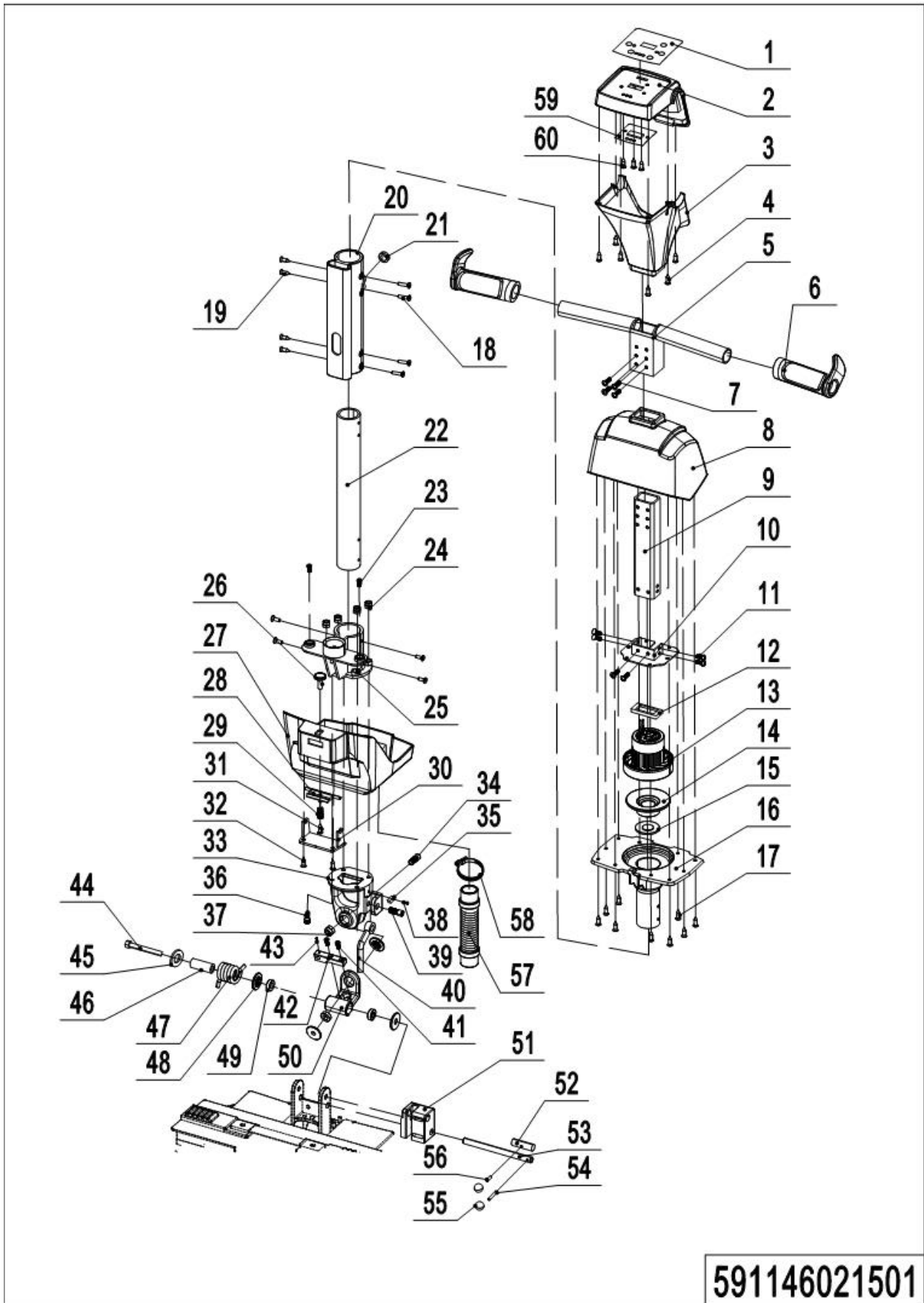
Number 5: check other tables.

This parts manual is the property of Noblelift and can be shared under the confidential agreement only, Noblelift has the right to claim for compensation of any unauthorized use. Copy without permission is not allowed. Figures in the manual are not limited by the original design. Noblelift Intelligent Equipment Co., LTD reserves the right to improve the products for continuous technology progress.

Table of Contents

Chapter 1: Body Structure.....	2
01 Operating Lever (591146021501).....	2
02 Water Tank System (591146021502).....	6
03 Squeegee (591146021503).....	8
04 Brush System(591146021504).....	10
Chapter 2: Electronic Control System	14
01 Battery (591146037001)	14
02 Charger (591146036501)	16
Chapter 3: Other.....	18
01 Labels (591146047001)	18
Appendix.....	20
01 Electrical Schematics (591146045501).....	20
02 List Of Consumables.....	21
02 List Of Consumables Continuation.....	22

Chapter 1: Body Structure



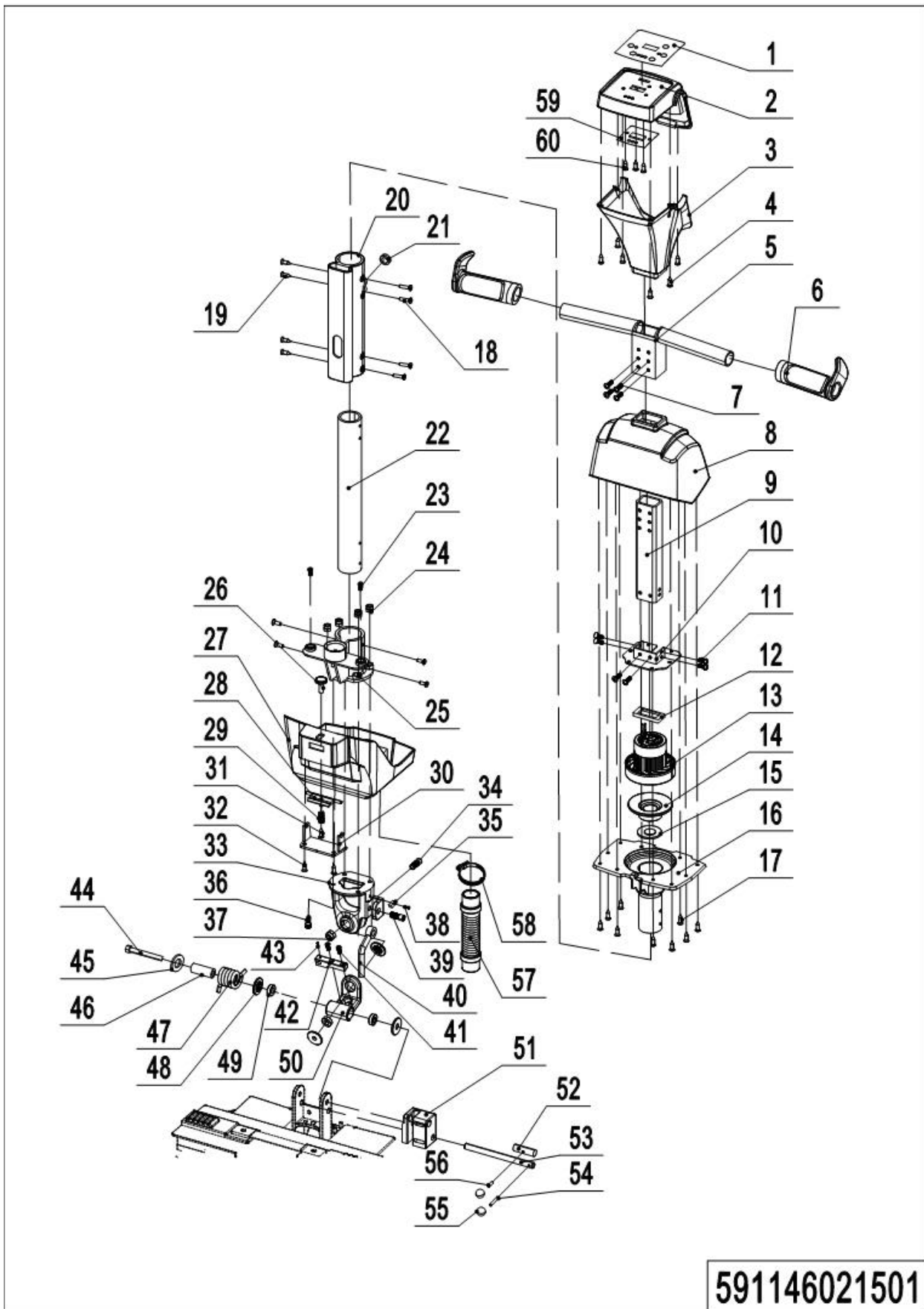
591146021501

01 Operating Lever (591146021501)

01 Operating Lever (591146021501)

No.	Item Code	Mark	Item Description	Qty.	Substitute	Note
1	591198520060		Control Panel	1		
2	591198520004		Upper Cover	1		
3	591198520005		Lower Cover	1		
4	591198520065		Screw M2.9x16	6		
5	591198520031		Operating Lever	1		
6	591198520056		Rubber Sleeve	2		
7	590198520091		Screw M5x12	4		
8	591198520010		Motor Cover	1		
9	591198520038		Linkage	1		
10	591198520039		Fixed Base	1		
11	591198520081		Screw M5x16	6		
12	591198520049		Sealing Pad	1		
13	591198520062		Suction Motor	1		
14	591198520050		Sealing Ring	1		
15	591198520051		Sealing Pad	1		
16	591198520011		Connection Base	1		
17	591198520073		Screw M4.8x16	10		
18	591198520087		Screw M4x45	6		
19	591198520067		Screw M4x12	6		
20	591198520012		Recovery Tank Bracket	1		
21	591198520052		Sealing Ring	1		
22	591198520040		Aluminum Tube	1		
23	591198520074		Screw M4.8x19	2		
24	590198520067		Nut M6	4		
25	591198520013		Water Outlet Components	1		
26	591198520014		Buckle Tiller	1		
27	591198520023		Water Tank Bracket	1		
28	591198520015		Buckle	1		
29	591198520097		Latch Spring	1		
30	591198520016		Buckle Fixed Base	1		

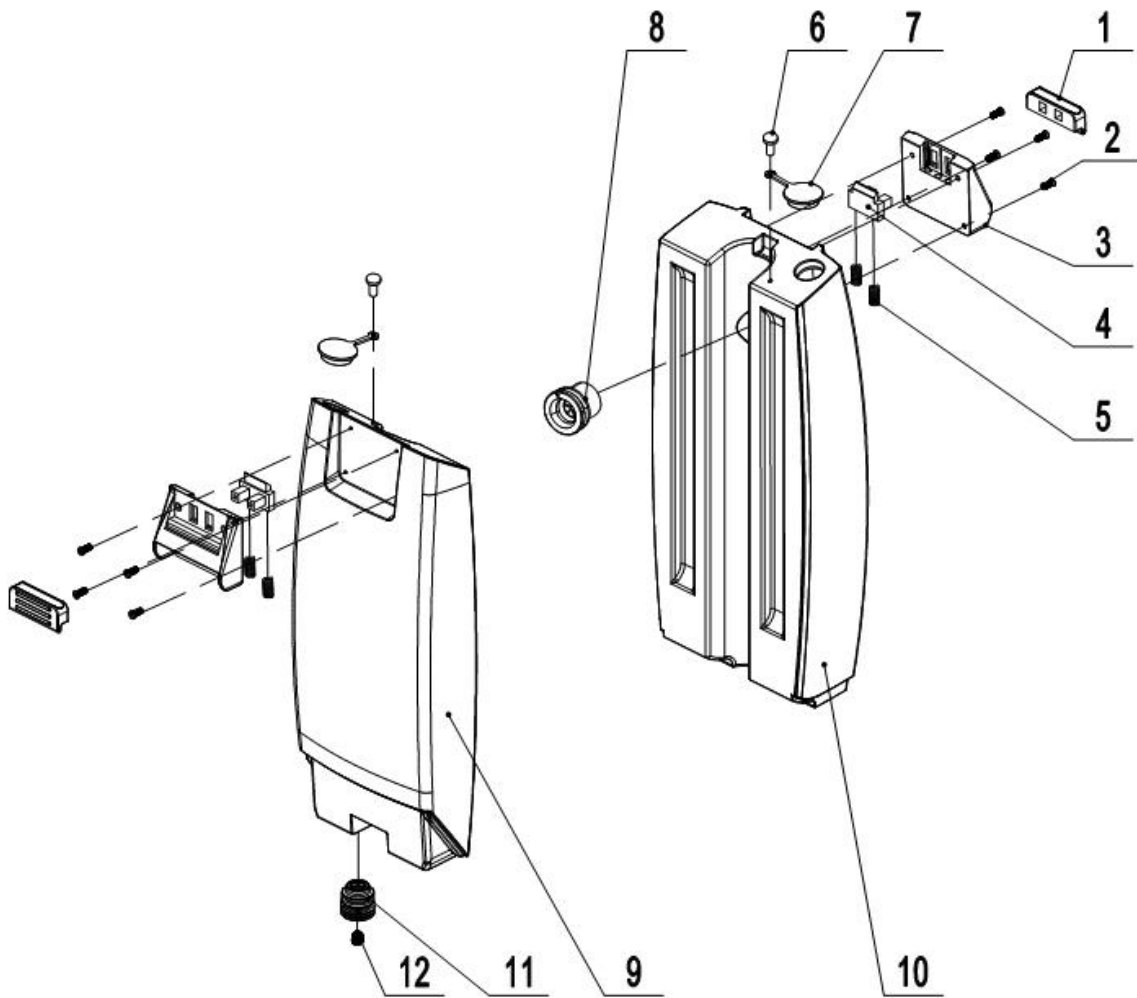
01 Operating Lever (591146021501) Continuation



01 Operating Lever (591146021501) Continuation

No.	Item Code	Mark	Item Description	Qty.	Substitute	Note
31	591198520080		Screw M4x16	1		
32	591198520076		Screw M6x25	2		
33	591198520033		Upper Bracket	1		
34	591198520085		Screw M8x40	1		
35	591198520101		Magnet	1		
36	591398520037		Screw M6x30	4		
37	590198520066		Nut M8	1		
38	591198520067		Screw M4x12	1		
39	591198520089		Threaded Pin M10x30	1		
40	591198520041		Vertical Fixed Rod	1		
41	591198520069		Screw M5x16	2		
42	591198520017		Spring Fixed Base	1		
43	591198520077		Screw M4x3	1		
44	591198520083		Bolt M8x110	1		
45	591198520094		Fixed Gasket	1		
46	591198520042		Fixed Sleeve	1		
47	591198520096		Torsional Spring	1		
48	591198520046		Gasket	4		
49	591198520100		Bearing	3		
50	591198520034		Middle Bracket	1		
51	591198520043		Fixed Base	1		
52	591198520044		Pin Shaft	1		
53	591198520045		Pin Shaft	1		
54	591198520078		Screw M5x25	1		
55	591198520079		Screw M5x40	1		
56	591198520092		Screw M5x20	2		
57	591198520057		Suction Pipe	1		
58	590998520095		Hoop	1		
59	591198520061		PCB	1		
60	591198520070		Screw M2.9x6.5	3		

02 Water Tank System (591146021502)

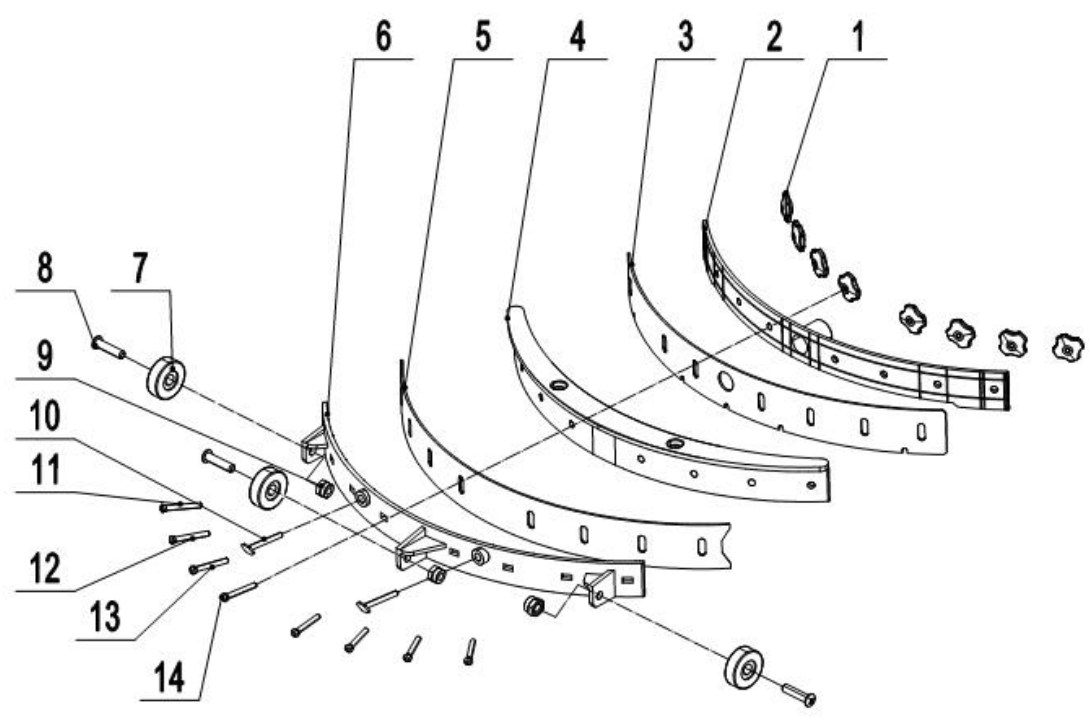


591146021502

02 Water Tank System (591146021502)

No.	Item Code	Mark	Item Description	Qty.	Substitute	Note
1	591198520024		Lifting	2		
2	591198520068		Screw M5x10	8		
3	591198520025		Slider Base	2		
4	591198520026		Slider	2		
5	591198520095		Spring	4		
6	591198520088		Screw M5x12	2		
7	591198520053		Rubber Plug	2		
8	591198520054		Sealing Ring	1		
9	591198520006		Solution Tank	1		
10	591198520007		Recovery Tank	1		
11	591198520055		Sealing Ring	1		
12	591198510001		Unidirectional Valve	1		

03 Squeegee (591146021503)

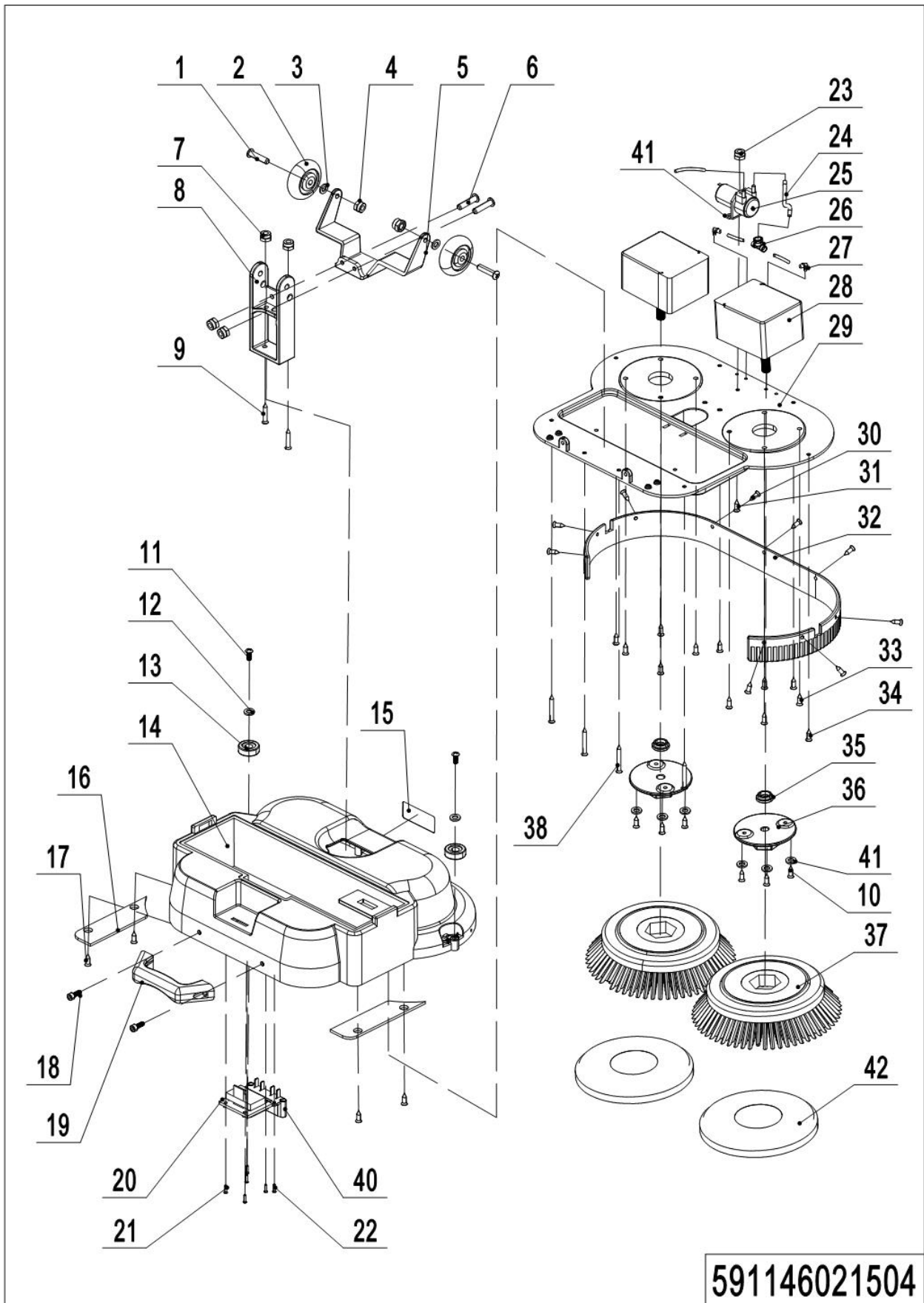


591146021503

03 Squeegee (591146021503)

No.	Item Code	Mark	Item Description	Qty.	Substitute	Note
1	591198520091		Knob M5	8		
2	591198520008		Press Plate(Front)	1		
3	591198520047		Front Blade	1		
4	591198520030		Squeegee	1		
5	591198520048		Rear Blade	1		
6	591198520009		Press Plate(Rear)	1		
7	591198520029		Auxiliary Wheel	3		
8	591198520084		Screw M8x25	3		
9	590198520066		Nut M8	3		
10	591198520090		Bolt M6x30	2		
11	590998520042		Screw M5x25	2		
12	590998520041		Screw M5x30	2		
13	590998520040		Screw M5x35	2		
14	591198520086		Bolt M5x40	2		

04 Brush System(591146021504)

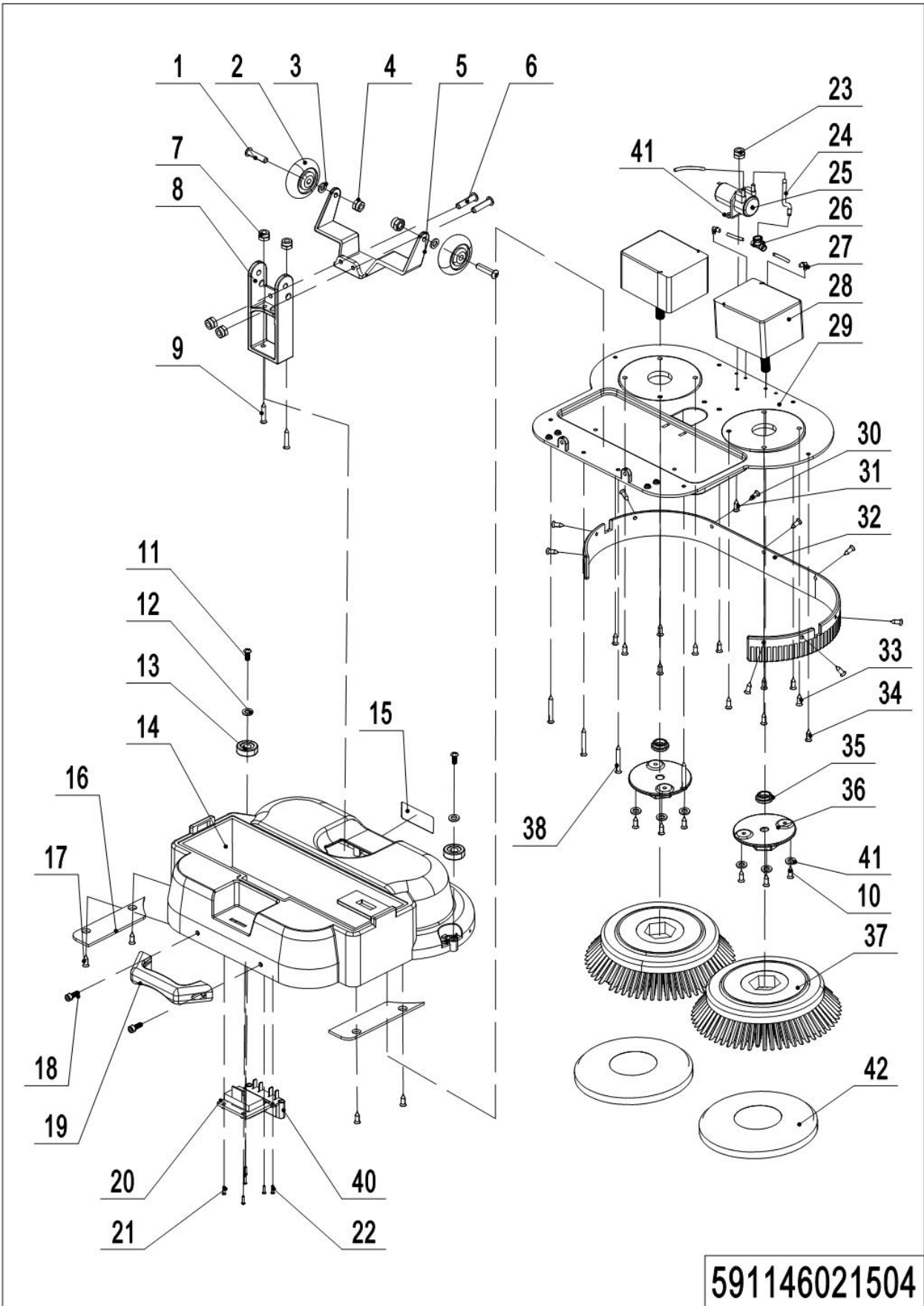


591146021504

04 Brush System (591146021504)

No.	Item Code	Mark	Item Description	Qty.	Substitute	Note
1	591198520085		Screw M8x40	2		
2	591198520027		Wheel	2		
3	590198520074		Spring Washer	2		
4	590198520066		Nut M8	2		
5	591198520037		Caster Bracket	1		
6	590498520304		Screw M6x16	2		
7	590198520067		Nut M6	4		
8	591198520035		Lower Bracket	1		
9	590198520143		Screw M6x20	2		
10	591198520066		Screw M4x8	6		
11	591198520082		Screw M6x20	2		
12	590198520075		Spring Washer	2		
13	591198520028		Bumper Wheel	2		
14	591198520018		Cover	1		
15	591198520019		Close Plate	1		
16	591198520020		Close Plate	2		
17	591198520073		Screw M4.8x16	4		
18	590198520087		Screw M6x20	2		
19	591198520021		Lifting	1		
20	591198520022		Buckle	1		
21	591198520071		Screw M2.9x19	4		
22	591198520072		Screw M3.9x19	2		
23	590498520079		Nut M4	1		
24	591198520058		Water Pipe	4		
25	591198520064		Water Pump	1		
26	591198520098		T-connector	1		
27	591198520099		Right-angle Joint	2		
28	591198520063		Brush Motor	2		
29	591198520032		Baseplate	1		

04 Brush System (591146021504) Continuation



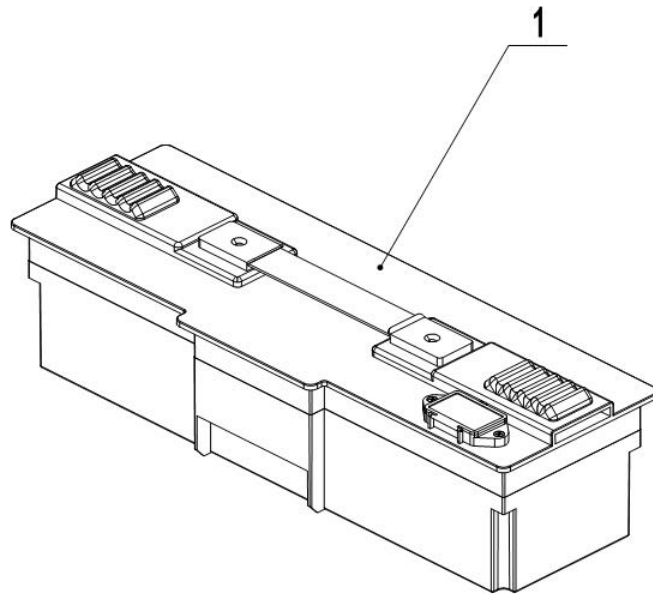
591146021504

04 Brush System (591146021504) Continuation

No.	Item Code	Mark	Item Description	Qty.	Substitute	Note
30	591198520103		Rivet M4x13	9		
31	591198520067		Screw M4x12	1		
32	591198520003		Side Brush Skirt	1		
33	590498520304		Screw M6x16	8		
34	591198520073		Screw M4.8x16	4		
35	591198520093		Motor Gasket	2		
36	591198520036		Brush Flange	2		
37	591198520001		Brush	2		
37*	591198520109		Brush (Soft)	2		
37*	591198520002		Needle Disk	2		
38	591198520075		Screw M4.8x32	4		
39	591198520104		Pump Bracket	1		
40	591198520105		Power Outlet	1		
41	591198520102		Flange	6		
42	591198520110		Red Scouring Pad	2		Adaptation Needle Plate
42	591198520111		White Scouring Pad	2		Adaptation Needle Plate
42	591198520112		Black Scouring Pad	2		Adaptation Needle Plate

Chapter 2: Electronic Control System

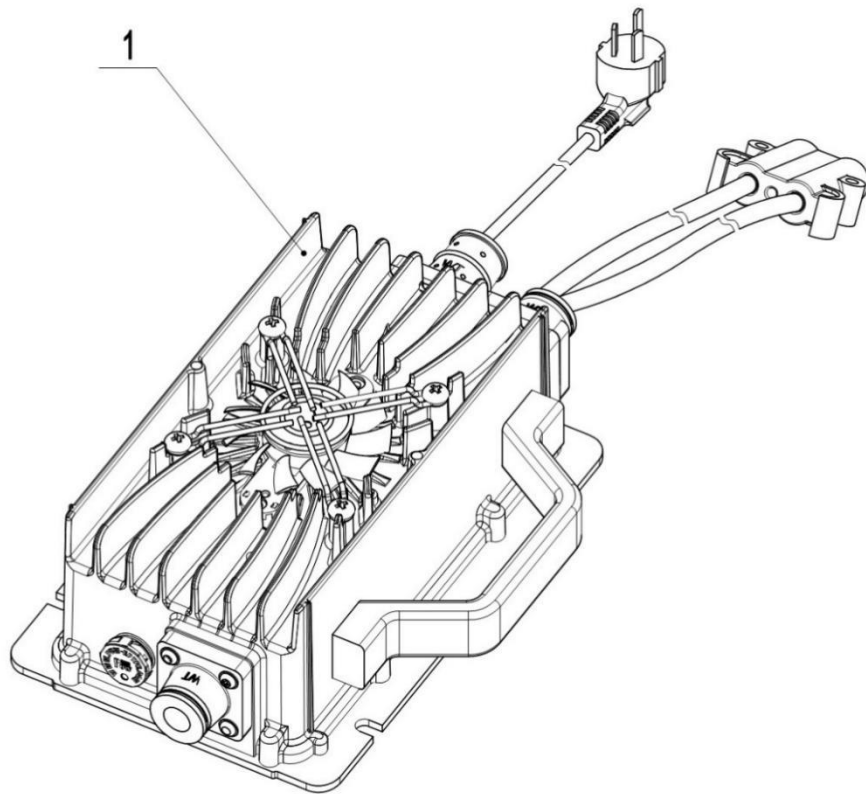
01 Battery (591146037001)



591146037001

01 Battery (590746037001)

No.	Item Code	Mark	Item Description	Qty.	Substitute	Note
1	591198520107		Battery 36V12AH	1		

02 Charger (591146036501)

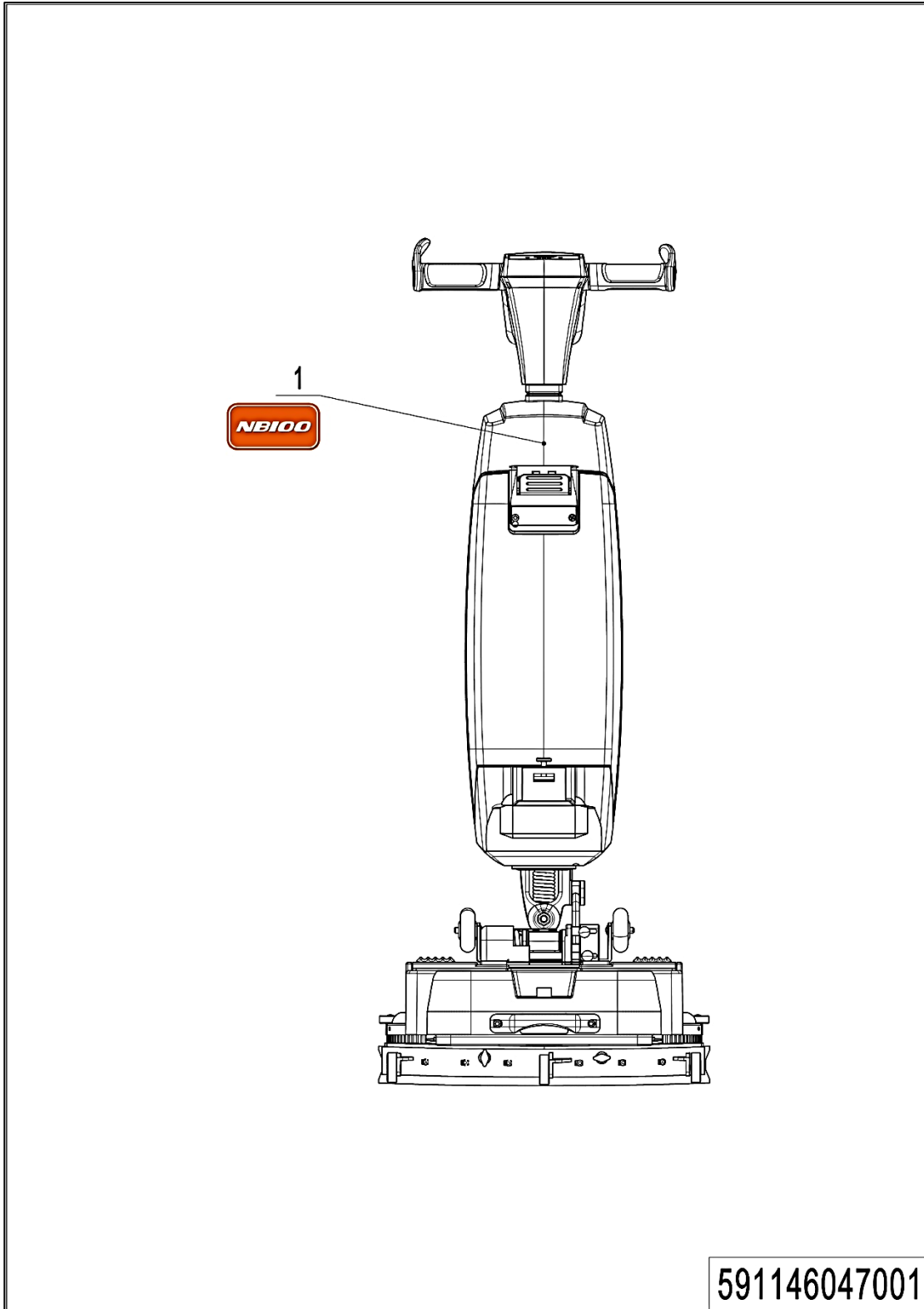
590146036501

02 Charger (590746036501)

No.	Item Code	Mark	Item Description	Qty.	Substitute	Note
1	591198520108		Charger	1		

Chapter 3: Other

01 Labels (591146047001)



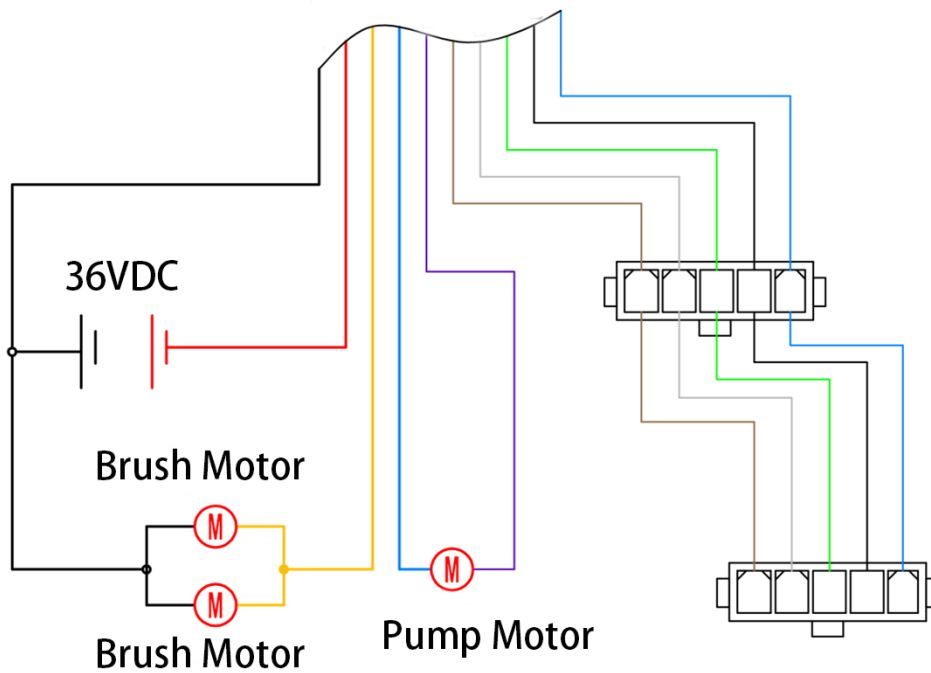
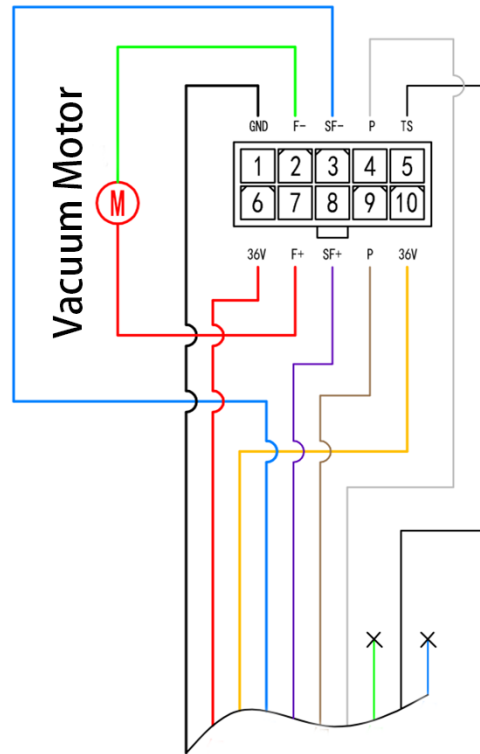
591146047001

01 Labels (590746047001)

No.	Item Code	Mark	Item Description	Qty.	Substitute	Note
1	591147020000		Label(NB100)	1		

Appendix

01 Electrical Schematics (591146045501)



02 List Of Consumables

No.	Item Code	Item Description	Qty.	Chapter/ Section/ Number
1	591198520060	Control Panel	1	Chapter /01/01
2	591198520004	Upper Cover	1	Chapter /01/02
3	591198520005	Lower Cover	1	Chapter /01/03
4	591198520056	Rubber Sleeve	2	Chapter /01/06
5	591198520010	Motor Cover	1	Chapter /01/08
6	591198520062	Suction Motor	1	Chapter /01/13
7	591198520013	Water Outlet Components	1	Chapter /01/25
8	591198520014	Buckle Handle	1	Chapter /01/26
9	591198520023	Water Tank Bracket	1	Chapter /01/27
10	591198520015	Buckle	1	Chapter /01/28
11	591198520057	Suction Pipe	1	Chapter /01/57
12	591198520061	PCB	1	Chapter /01/59
13	591198520024	Lifting	2	Chapter /02/01
14	591198520053	Rubber Plug	2	Chapter /02/07
15	591198520054	Sealing Ring	1	Chapter /02/08
16	591198520055	Sealing Ring	1	Chapter /02/11
17	591198510001	Unidirectional Valve	1	Chapter /02/12
18	591198520008	Press Plate(Front)	1	Chapter /03/02
19	591198520047	Front Blade	1	Chapter /03/03
20	591198520048	Rear Blade	1	Chapter /03/05
21	591198520009	Press Plate(Rear)	1	Chapter /03/06
22	591198520029	Auxiliary Wheel	3	Chapter /03/07
23	591198520027	Wheel	2	Chapter /04/02
24	591198520018	Cover	1	Chapter /04/14
25	591198520019	Close Plate	1	Chapter /04/15
26	591198520064	Water Pump	1	Chapter /04/25
27	591198520063	Brush Motor	2	Chapter /04/28
28	591198520001	Brush	2	Chapter /04/37
29	591198520109	Brush (Soft)	2	Chapter /04/37*
30	591198520002	Needle Disk	2	Chapter /04/37*

02 List Of Consumables Continuation

No.	Item Code	Item Description	Qty.	Chapter/ Section/ Number
31	591198520110	Red Scouring Pad	2	Chapter /04/42
32	591198520111	White Scouring Pad	2	Chapter /04/42
33	591198520112	Black Scouring Pad	2	Chapter /04/42