

# NOBLELIFT



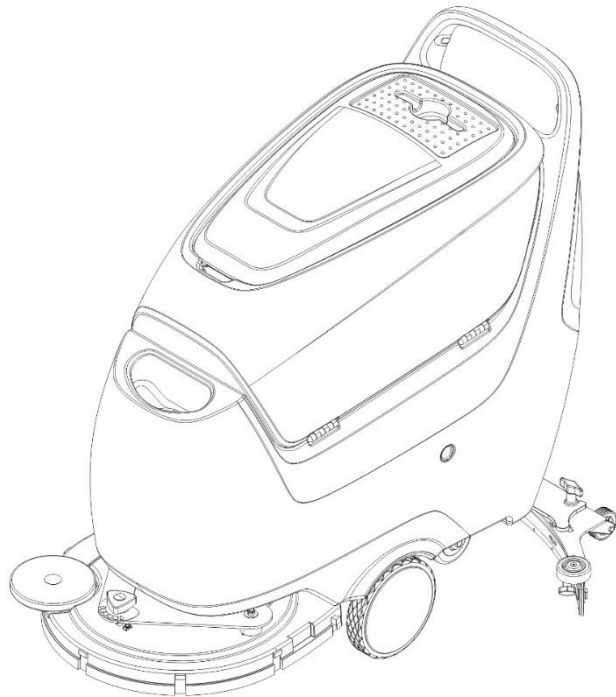
Scan QR Code for More

**Walk-behind scrubber**

**NB530**

**Parts Manual**

**590146020101**



**Version V06**

Scrubber Identification Number From:

Parts Manual NB530-PM06EN

---

Please order parts from authorized dealers of Noblelift Intelligent Equipment Co., LTD.

In order to avoid wrong delivery, all the orders for spare parts should specify the following items:

- Truck model, identification number and manufacture year.
- Orders for spare parts of mast, hydraulic transmission unit, steering axle, motor, etc. shall indicate the manufacture number of these parts.
- Codes for Noblelift spare parts are shown in the table of parts manual. Please also pay attention to the description of supply status, order quantity, etc. (check the number listed in "Mark" column of the parts manual).

"Mark" Column:

The unmarked indicates the parts are in short supply cycle.

Number 1: supply as package. Indicating these that parts are small parts and seal parts, which are supplied in package unit and in short supply cycle.

Number 2: supply with constraints. Indicating that these spare parts are not in stock and will be prepared for production after receiving the order from customers, which are in long supply cycle.

Number 3: phasing-out supply. Indicating that these parts will be replaced by new parts due to technical improvements and the current stock will not be available when these parts run out. Please check the description of technical improvements notice.

Number 4: supply as assembly. Indicating that these parts are assembly parts defined by manufacture process, which cannot be supplied as a single part.

Number 5: check other tables.

This parts manual is the property of Noblelift and can be shared under the confidential agreement only, Noblelift has the right to claim for compensation of any unauthorized use. Copy without permission is not allowed. Figures in the manual are not limited by the original design. Noblelift Intelligent Equipment Co., LTD reserves the right to improve the products for continuous technology progress.

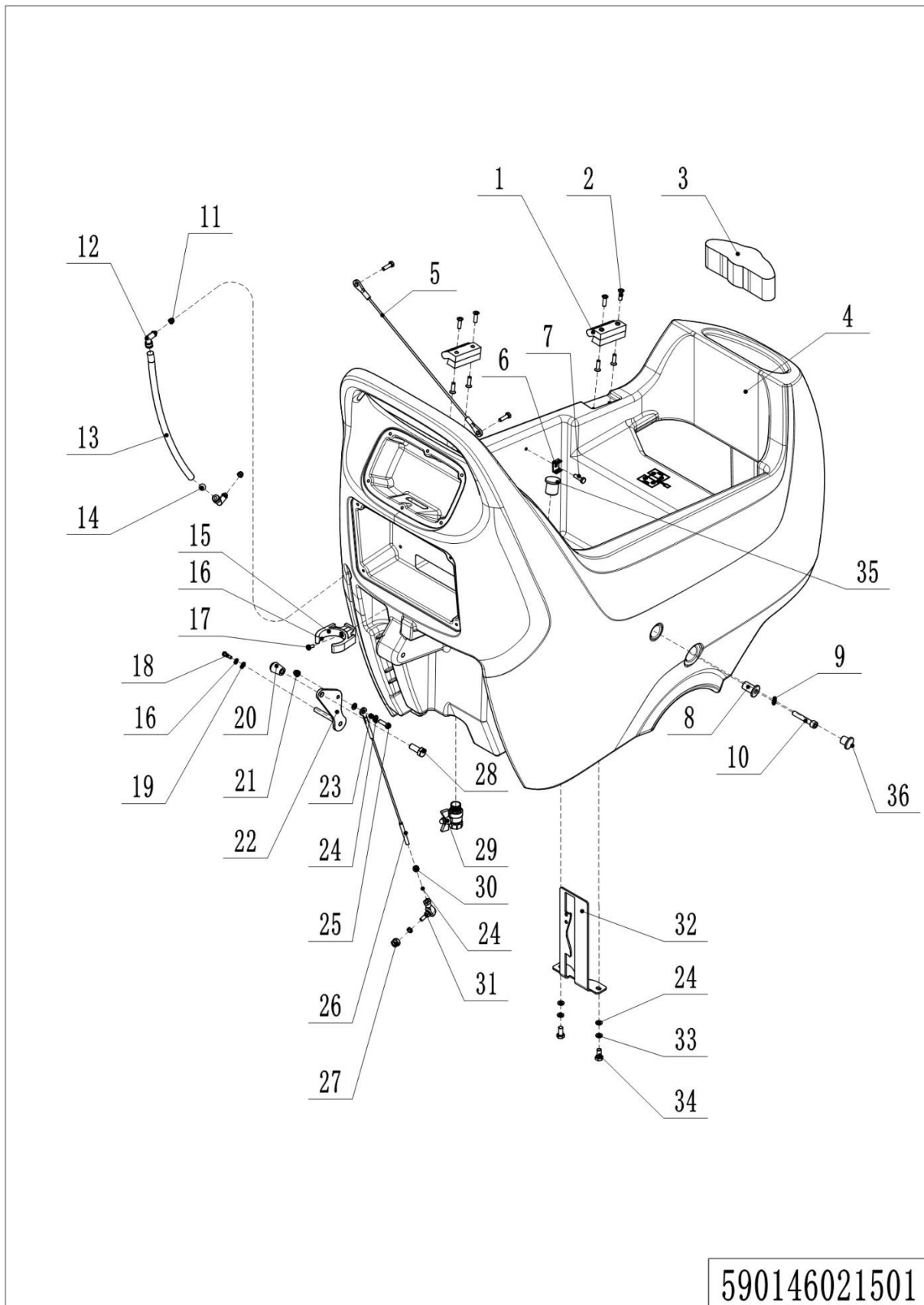
---

# 目 录

Chapter 1: Truck Frame.....	1
01 Solution tank (590146021501).....	1
02 Recovery tank (590146021502) .....	5
03 Brush system (590146021503) .....	7
04 Chassis (590146021504) .....	11
05 Squeegee system (590146021505) .....	13
06 Solution assembly (590146021506).....	17
07 Wheels (590146017001).....	19
Chapter 2: Electrical parts.....	21
01 Operating panel (590146010001).....	21
02 Electronic control components (590146033001).....	23
03 Traction Battery (590146037001) .....	25
04 Charger (590146036501) .....	27
05 Wire Harness (590146033002) .....	29
Chapter 3: Others.....	31
01 Labels and decals (590146047001).....	31
Appendix.....	33
01 Electrical Circuit Diagram ( 590146045501).....	33
02 Easy Wornout Parts List.....	34
03 Consumables list .....	35

## Chapter 1: Truck Frame

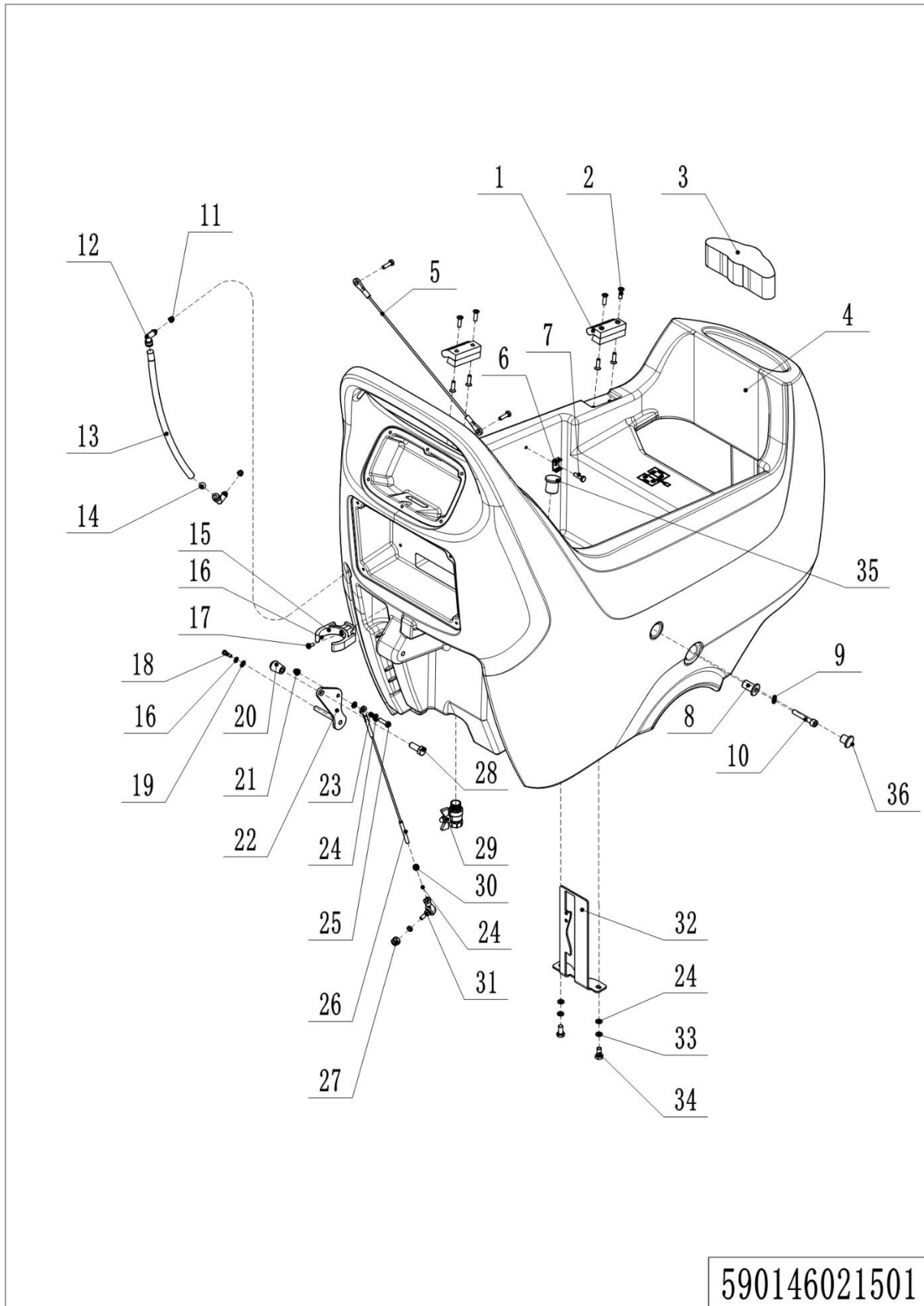
### 01 Solution tank (590146021501)



## 01 Solution tank (590146021501)

No.	Item Code	Mark	Item Description	Qty.	Substitute	Note
1	590198520129		HINGE	2		
2	590198520143		SCREW SOCKET HD M6×20	8		
3	590198520060		SPONGE	1		
4	590198520025		SOLUTION TANK	1		
5	590198520044		CABLE	1		
6	590198520099		FLAT TIE HOLDER	5		
7	590198520091		SCREW CYL HD M5×12	5		
8	590198520042		BUSHING FOR PEDAL	1		
9	590198520074		WASHER SPLIT M8 SS	1		
10	590198520088		SCREW SOCKET HD M8×60	1		
11	590198520136		RUBBER PLUG	2		
12	590198520128		L CONNECTOR 8	2		
13	590198520139		HOSE 8	0.4		0.4m
14	590198520130		BALL Ø6.5	1		
15	590198520018		DRAIN HOSE CLAMP	1		
16	590198520076		WASHER SPLIT M5	2		
17	590198520093		SCREW CYL HD M5×12	3		
18	590198520094		SCREW PAN HD M5×16	1		
19	590198520078		WASHER FLAT D5×D16×1.0	1		
20	590198520011		KNOB	1		
21	590198520070		BLIND NUT M6 SS	1		
22	590198520037		SQUEEGEE LIFTING LEVER	1		
23	590198520038		SPACER D6.5×D10×5	1		
24	590198520079		WASHER FLAT D6×D18	5		
25	590198520084		SCREW HEX HD M6×20	1		
26	590198520039		SQUEEGEE LIFTING CABLE	1		
27	590198520067		NUT HEX SELF LOCKING M6	1		
28	590198520126		SCREW HEX HD M10×25	1		
29	590198520153		VALVE 15.7mm	1		
30	590198520071		NUT M6 SS	1		

## 01 Solution tank (590146021501) (Continuation)

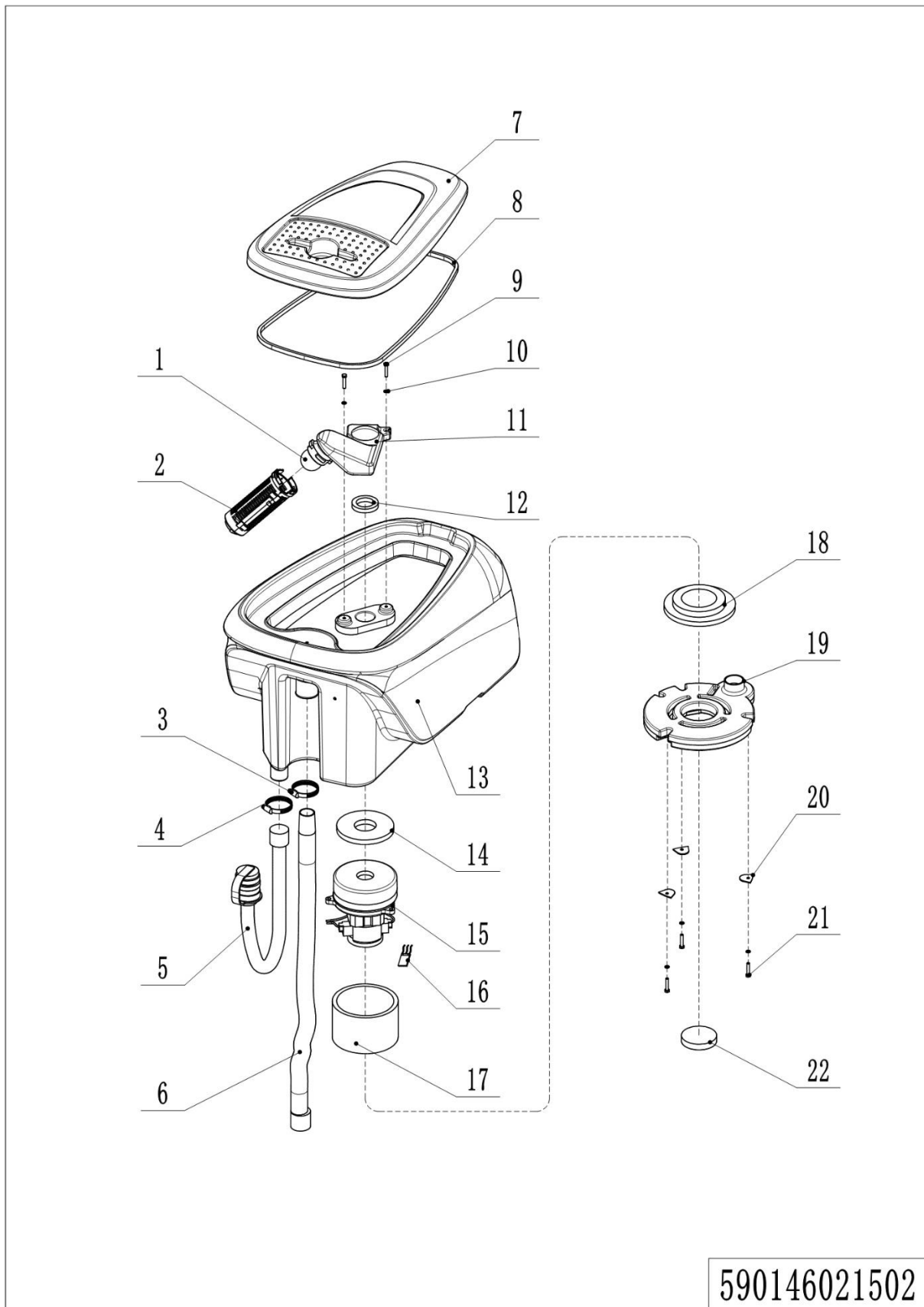


590146021501

## 01 Solution tank (590146021501) (Continuation)

No.	Item Code	Mark	Item Description	Qty.	Substitute	Note
31	590198520116		BALL BARING M6	1		
32	590198520041		SUPPORT FOR PEDAL	1		
33	590198520075		WASHER SPLIT M6 SS	2		
34	590198520083		SCREW HEX HD M6×16	2		
35	590198520196		RUBBER PLUG	1		
36	590198520193		COVER 25	2		

## 02 Recovery tank (590146021502)



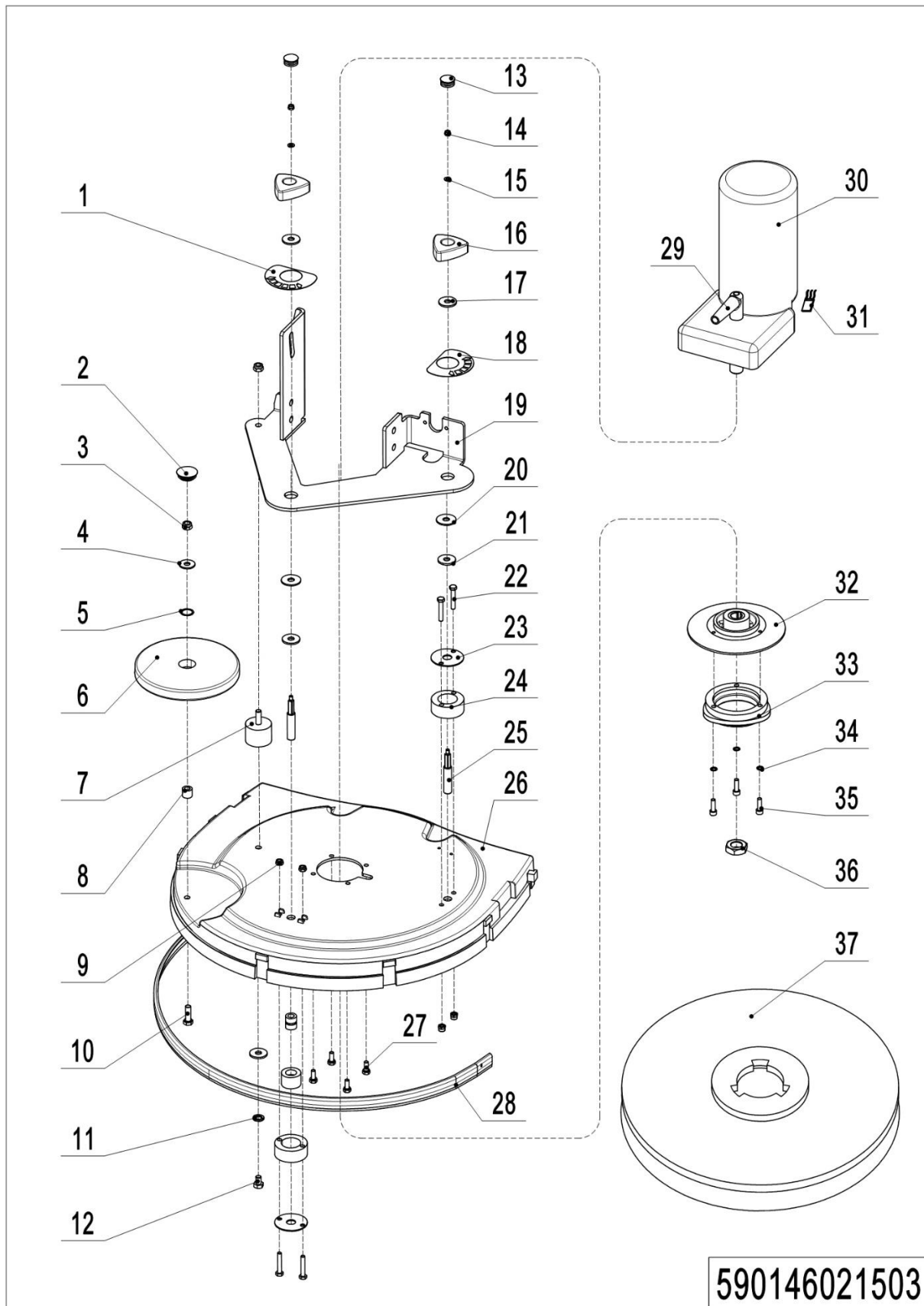
590146021502



## 02 Recovery tank (590146021502)

No.	Item Code	Mark	Item Description	Qty.	Substitute	Note
1	590198520015		FLOATING BALL	1		
2	590198520014		CAGE FOR FLOATING BALL	1		
3	590198520097		HOSE CLAMP D33-57	1		
4	590198520105		HOSE CLAMP D27-51	1		
5	590198520064		DRAIN HOSE	1		
6	590198520063		VACUUM HOSE	1		
7	590198520023		RECOVERY TANK COVER	1		
8	590198520061		GASKET	1.72		1.72m
9	590198520144		SCREW SOCKET HD M6×25	2		
10	590198520079		WASHER FLAT D6×D18	5		
11	590198520013		SUPPORT FOR CAGE	1		
12	590198520059		GASKET	1		
13	590198520024		RECOVERY TANK	1		
14	590198520054		GASKET	1		
15	590398510007		VACUUM MOTOR 24V	1		
16	590198520200		CARBON BRUSH	1		
17	590198520056		ACOUSTIC INSULATION PIPE	1		
18	590198520197		RUBBER	1		
19	590198520020		VACUUM MOTOR COVER	1		
20	590198520040		PLATE FOR VACUUM COVER	3		
21	590198520085		SCREW HEX HD M6×30	3		
22	590198520058		FILTER FOAM	1		

## 03 Brush system (590146021503)

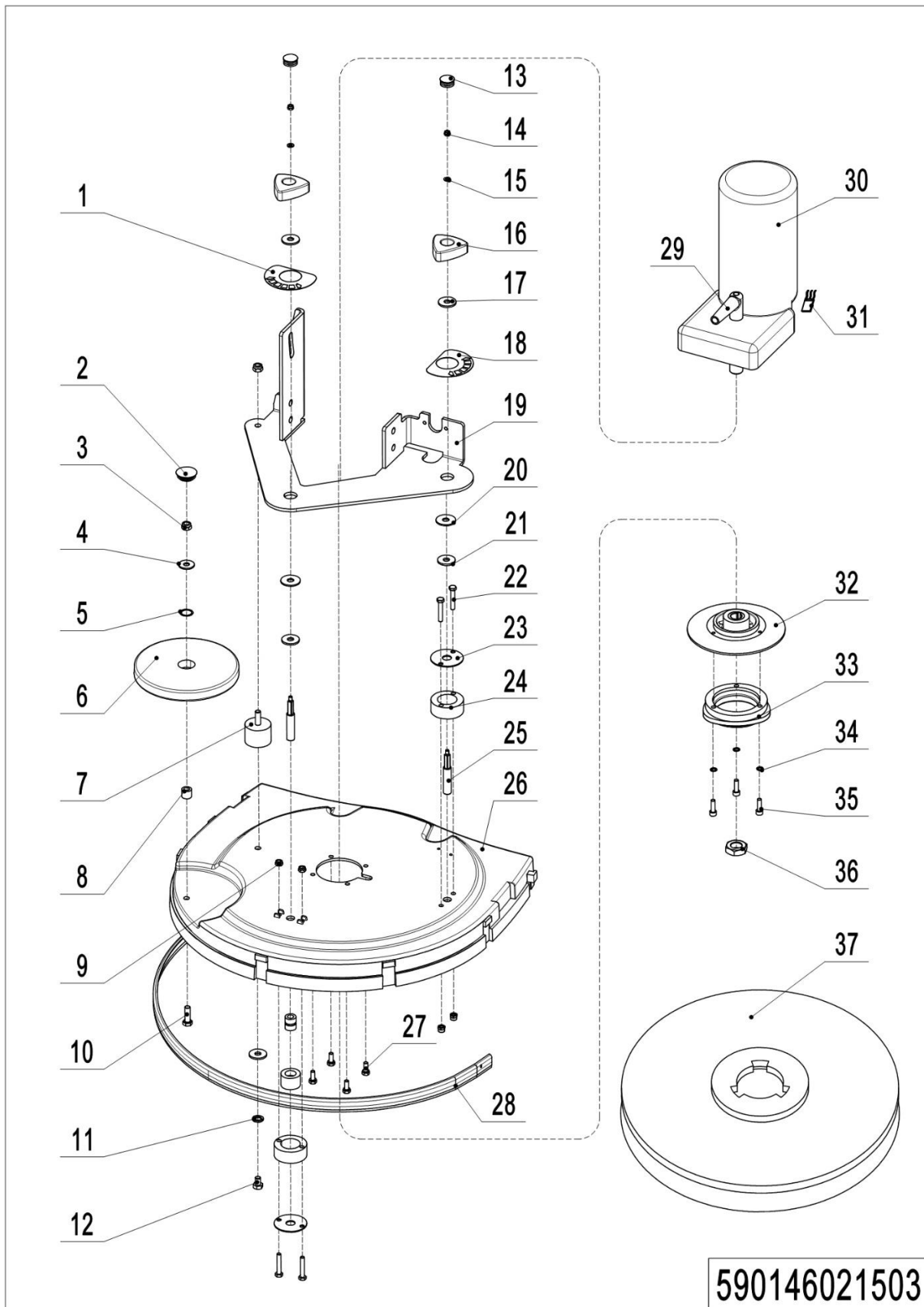


1= Supply as package. 2= Supply with constraints. 3= Phasing-out supply. 4= Supply as assembly. 5= Check other tables.

## 03 Brush system (590146021503)

No.	Item Code	Mark	Item Description	Qty.	Substitute	Note
1	590198520001		DECAL	1		
2	590198520019		CAP 25	1		
3	590198520066		NUT HEX SELF LOCKING M8	2		
4	590198520109		WASHER D8×D24×2	1		
5	590198520108		WASHER D16×D21×0.5	1		
6	590198520016		BUMPER ROLLER	1		
7	590198520032		VIBRATION DAMPING M8	1		
8	590198520107		SPACE	1		
9	590198520067		NUT HEX SELF LOCKING M6	4		
10	590198520100		SCREW HEX HD M8×25	1		
11	590198520074		WAHSER SPLIT M8 SS	1		
12	590198520082		SCREW HEX HD M8×16	1		
13	590198520008		CAP FOR KNOB	2		
14	590198520068		NUT HEX SELF LOCKING M5	2		
15	590198520078		WASHER FLAT D5×D16×1.0	2		
16	590198520007		ADJUSTING KNOB	2		
17	590198520080		WASHER FLAT D10×D30×2.5	2		
18	590198520003		DECAL	1		
19	590198520036		BRACKET OF BRUSH	1		
20	590198520052		RUBBER WASHER	2		
21	590198520077		WASHER FLAT D9×D27×3	3		
22	590398520084		SCREW HEX HD M6×35	4		
23	590198520034		VIBRATION DAMPING PLATE	2		
24	590198520033		SPACER	2		
25	590198520035		ADJUSTING SCREW STEM	2		
26	590198520006		BRUSH DECK 530	1		
27	590198520142		SCREW M6×16 W WASHER	4		
28	509198520184		WEATHER BAR(*)	1		OPTIONAL
29	590198520204		DOWNCOMER	2		
30	590198510000		REDUCTION GEARMOTOR	1		

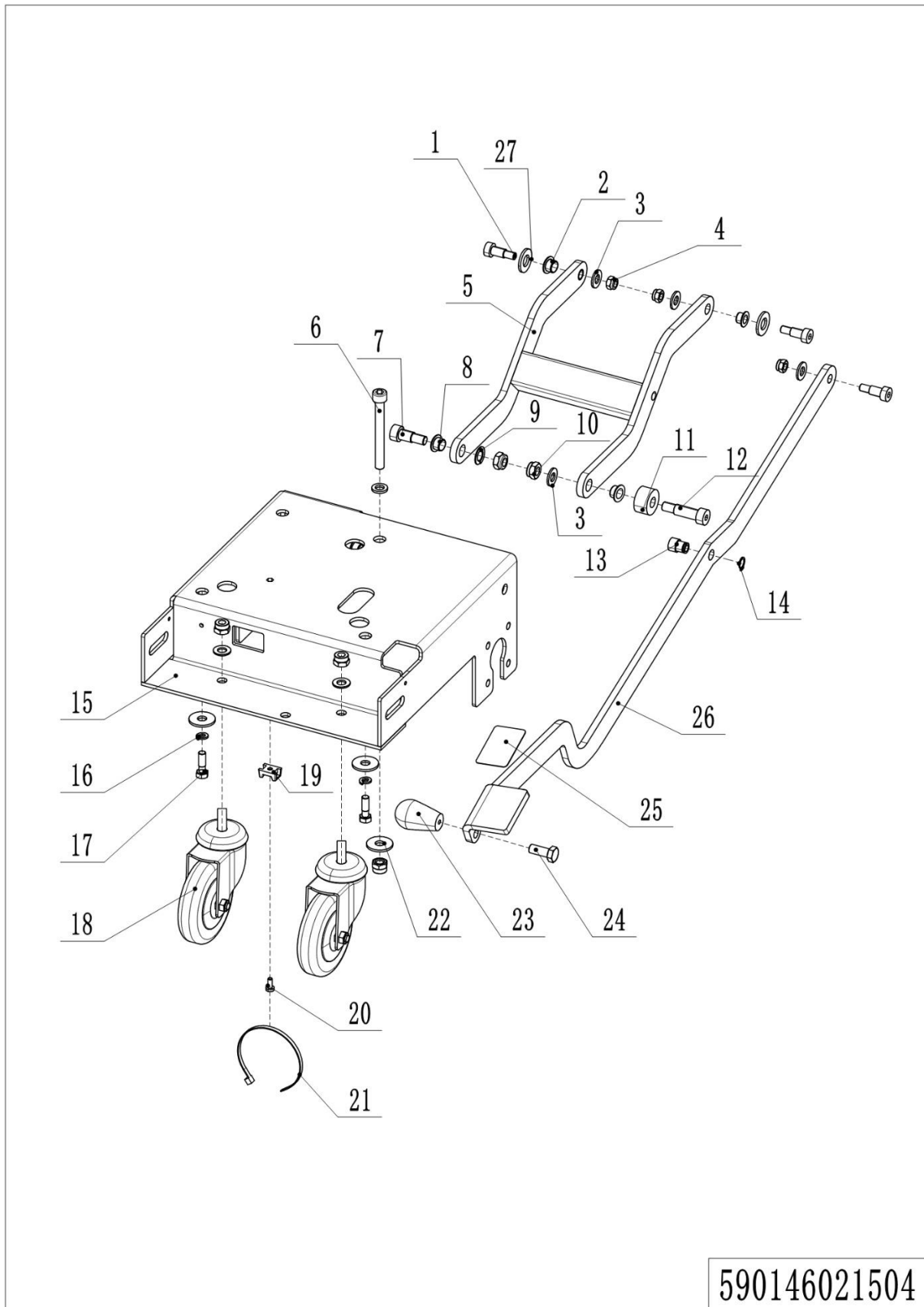
## 03 Brush system (590146021503) (Continuation)



## 03 Brush system (590146021503) (Continuation)

No.	Item Code	Mark	Item Description	Qty.	Substitute	Note
31	590198520200		CARBON BRUSH	1		
32	590198520045		COUPLING JK	1		
33	590198520010		BRUSH HOLDER	1		
34	590198520075		WASHER SPLIT M6 SS	3		
35	590198520087		SCREW SOCKET HD M6×20	3		
36	590198520072		M20 NUT LEFT	1		
37	590198520162		BRUSH	1		
37	590198520171		BRUSH(SOFT)	1		OPTIONAL
37	590198520172		BRUSH(HARD)	1		OPTIONAL
37	590198520163		PAD DRIVER	1		

## 04 Chassis (590146021504)

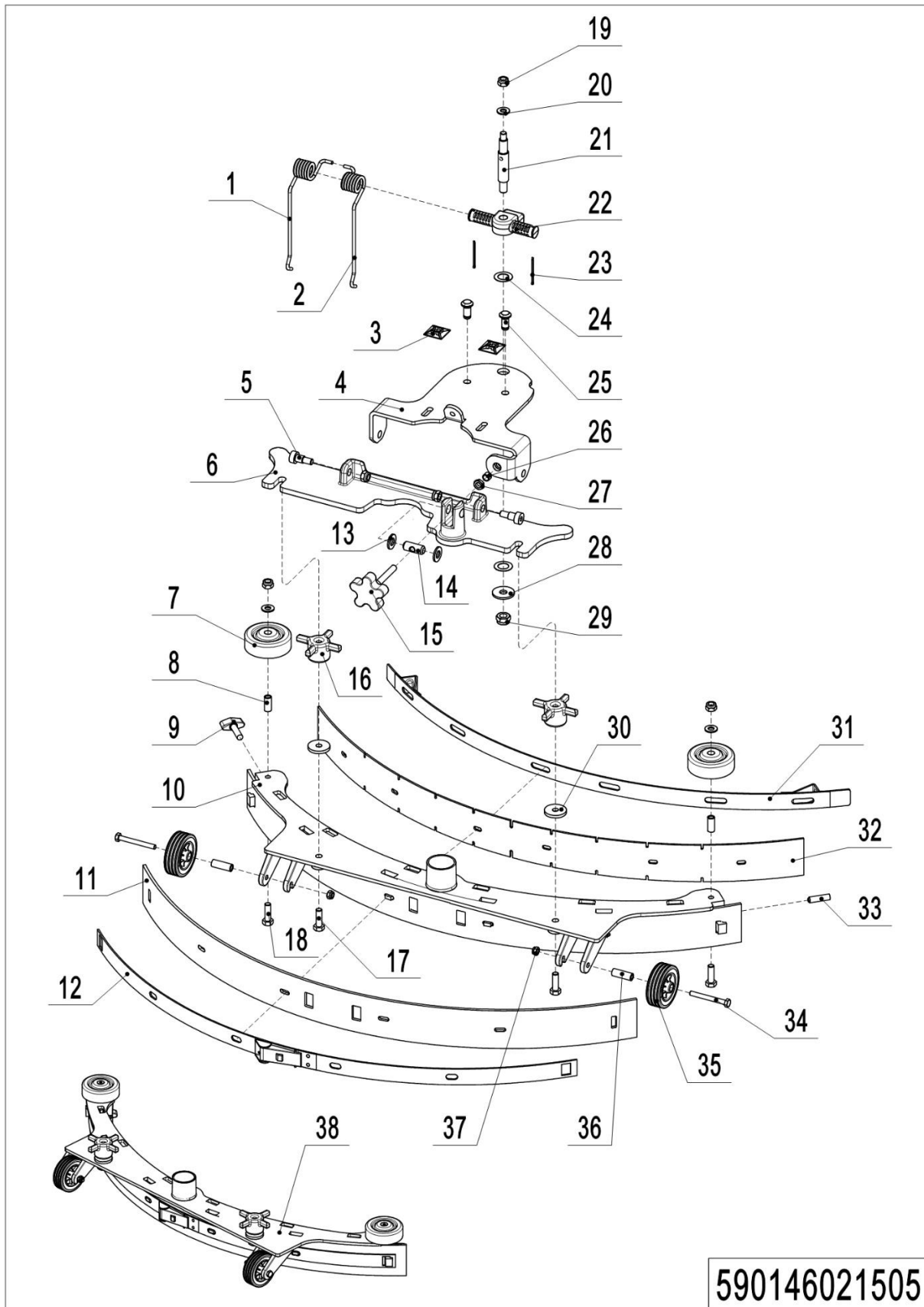


1= Supply as package. 2= Supply with constraints. 3= Phasing-out supply. 4= Supply as assembly. 5= Check other tables.

## 04 Chassis (590146021504)

No.	Item Code	Mark	Item Description	Qty.	Substitute	Note
1	590198520090		BOLT SOCKET M10×16	3		
2	590198520021		SPACER	2		
3	590198520081		WAHSER FLAT D10×D20×2.5	7		
4	590198520066		NUT HEX SELF LOCKING M8	3		
5	590198520030		LIFT HOLDER	1		
6	590198520089		SCREW SOCKET HD M10×90	1		
7	590198520110		BOLT SOCKET M12×16	1		
8	590198520017		SPACER	2		
9	590198520111		WAHSER SPLIT M12	1		
10	590198520065		NUT HEX SELF LOCKING M10	5		
11	590198520113		SLEEVE	1		
12	590198520112		BOLT SOCKET M12×30	1		
13	590198520115		SPACER FOR PEDAL	1		
14	590198520114		CIRCLIPS	1		
15	590198520031		CHASSIS SYSTEM	1		
16	590198520073		WASHER SPLIT M10 SS	2		
17	590198520086		SCREW HEX HD M10×20	2		
18	590198520005		WHEEL REVOLVING SS	2		
19	590198520095		FLAT TIE HOLDER	1		
20	590198520091		SCREW CYL HD M5×12	1		
21	590198520000		CABEL 4.8 X 250MM	1		
22	590198520080		WASHER FLAT D10×D30×2.5	3		
23	590198520011		KNOB	1		
24	590198520126		SCREW HEX HD M10×25	1		
25	590198520002		SAFETY-WALK STICKERS	1		
26	590198520043		PEDAL	1		
27	590398520085		WASHER FLAT D12×D24×2.5	2		

## 05 Squeegee system (590146021505)



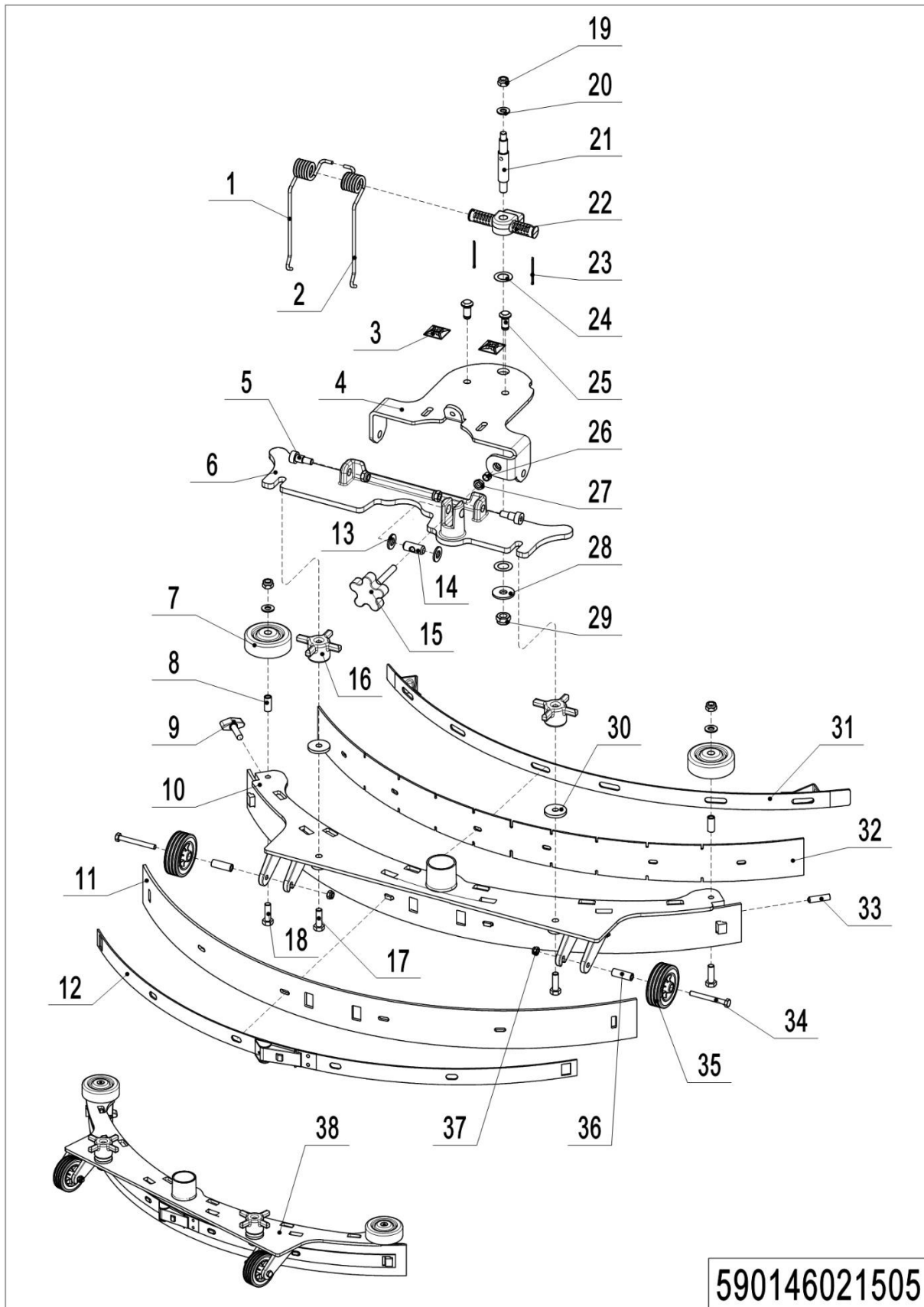
590146021505



## 05 Squeegee system (590146021505)

No.	Item Code	Mark	Item Description	Qty.	Substitute	Note
1	590198520050		SPRING LEFT	1		
2	590198520051		SPRING RIGHT	1		
3	590198520125		HOLDER	2		
4	590198520049		HOLDER FOR SQUEEGEE	1		
5	590198520090		BOLT SOCKET M10×16	2		
6	590198520004		SUPPORT FOR SQUEEGEE	1		
7	590198520131		WHEEL	2		
8	590198520146		SPACER	2		
9	590198520148		SCREW 32	1		
10	590198520127		SQUEEGEE BLADE	1		
11	590198520138		BLADE REAR RUBBER	1		
11	590198520160		BLADE REAR NR	1		OPTIONAL
11	590198520164		BLADE REAR PU	1		OPTIONAL
12	590198520135		HOLDER FOR BLADE	1		
13	590198520028		WASHER D12×24×2	2		
14	590198520124		SHAFT	1		
15	590198520123		KNOB	1		
16	590198520132		HANDLE	2		
17	590198520150		SCREW HEX HD M8×35	2		
18	590198520100		SCREW HEX HD M8×25	2		
19	590198520066		NUT HEX SELF LOCKING M8	5		
20	590198520117		WASHER FLAT D8×D16×1	3		
21	590198520118		SHAFT	1		
22	590198520026		SUPPORT FOR SPRING	1		
23	590198520119		PIN 2×32	2		
24	590198520027		WASHER D16×30×3	2		
25	590198520120		SHAFT	2		
26	590198520121		SPACER	1		
27	590198520122		NUT M8	2		
28	590198520080		WASHER FLAT D10×D30×2.5	1		

## 05 Squeegee system (590146021505) (Continuation)

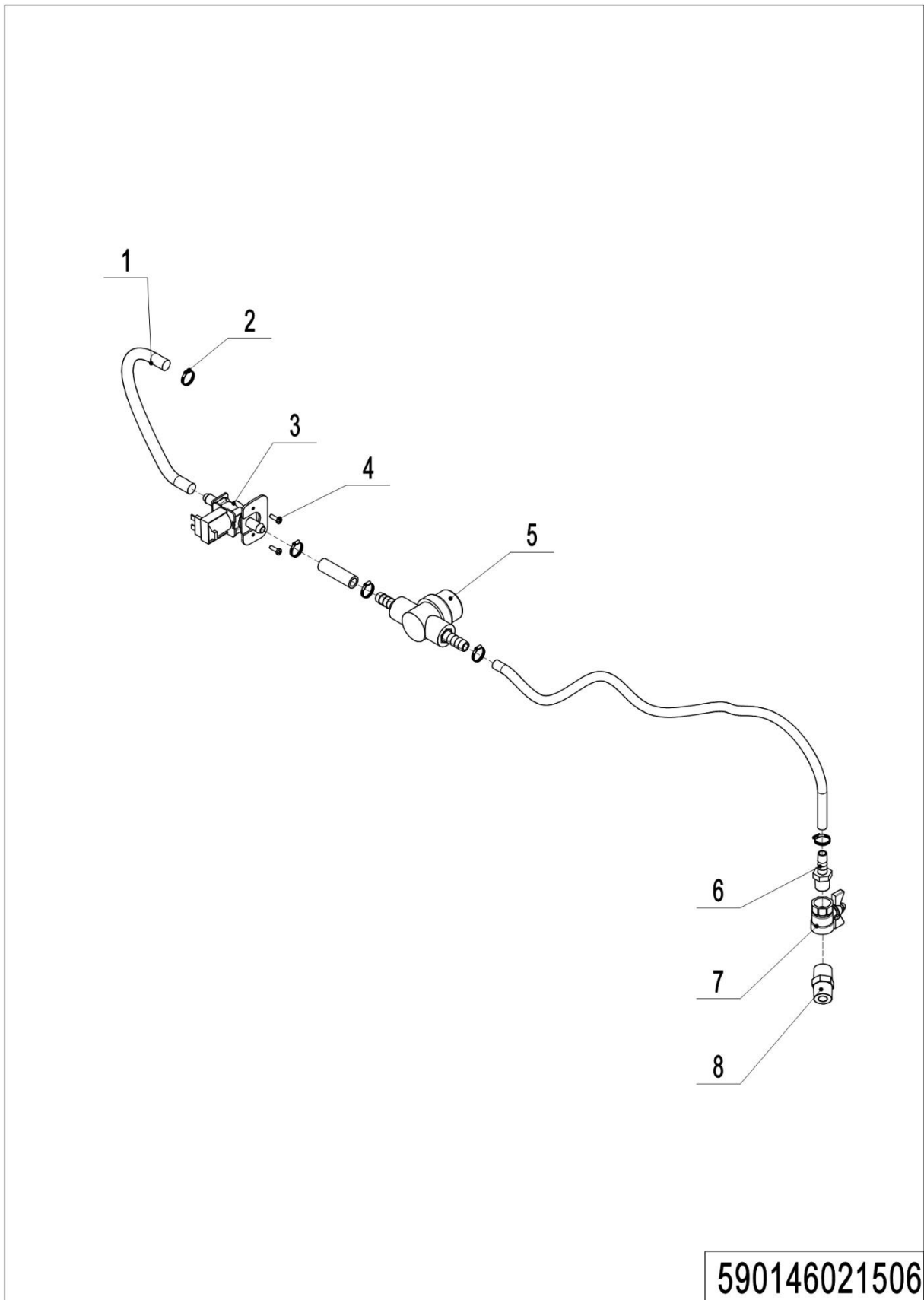


590146021505

## 05 Squeegee system (590146021505) (Continuation)

No.	Item Code	Mark	Item Description	Qty.	Substitute	Note
29	590198520065		NUT HEX SELF LOCKING M10	1		
30	590198520053		RUBBER WASHER	2		
31	590198520200		HOLDER FOR BLADE	1		
32	590198520137		BLADE FRONT RUBBER	1		
32	590198520161		BLADE FRONT NR	1		OPTIONAL
32	590198520165		BLADE FRONT PU	1		OPTIONAL
33	590198520149		SCREW M8×30	1		
34	590198520151		SCREW HEX HD M6×55	2		
35	590198520133		REAR WHEEL	2		
36	590198520152		SPACE	2		
37	590198520067		NUT HEX SELF LOCKING M6	2		
38	590198510003		SQUEEGEE ASSEMBLY	1		

## 06 Solution assembly (590146021506)

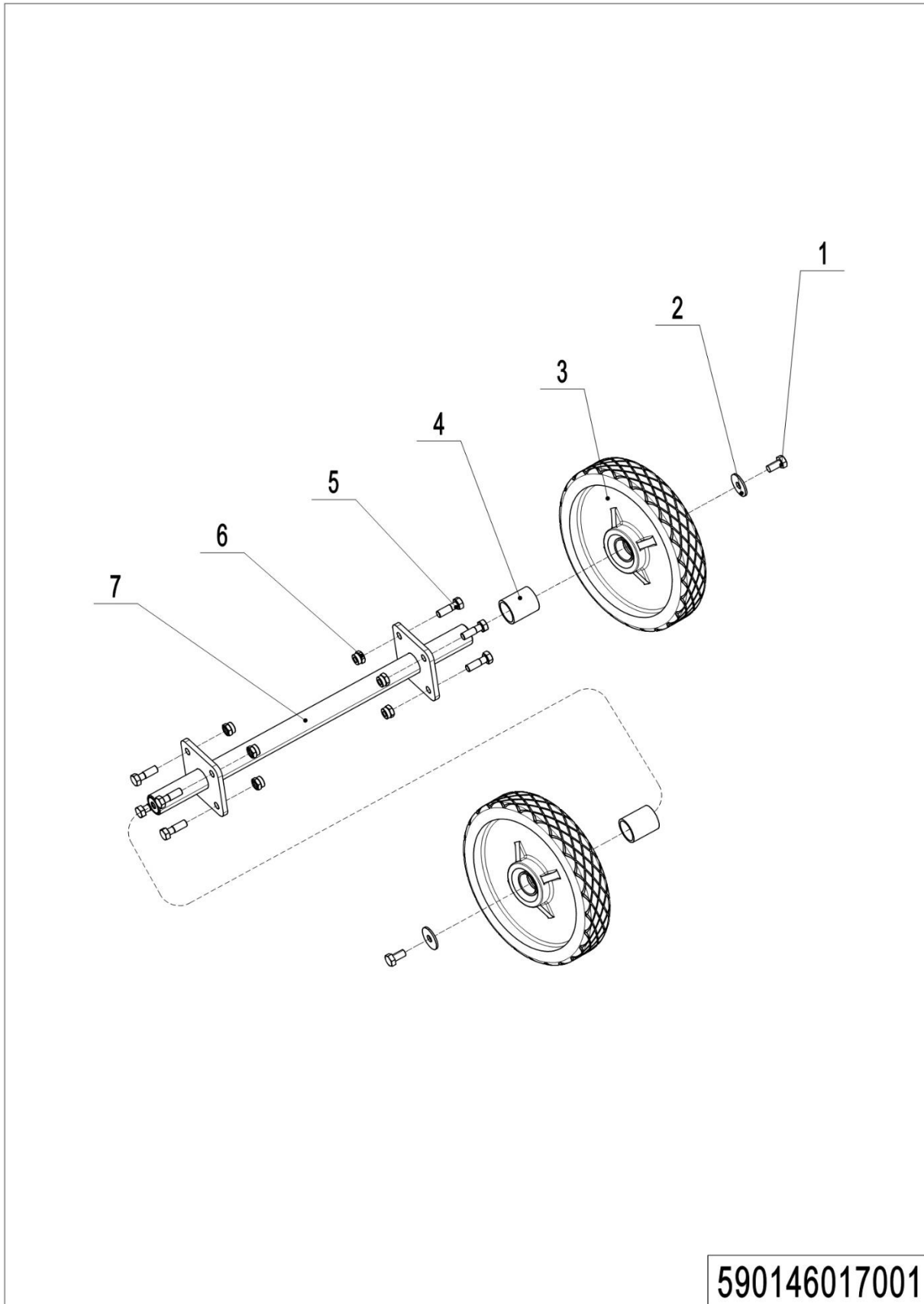


---

**06 Solution assembly (590146021506)**

No.	Item Code	Mark	Item Description	Qty.	Substitute	Note
1	590198520062		HOSE PVC	0.25		0.25m
2	590198520096		HOSE CLAMP D13-19	6		
3	590198520140		SOLENOID VALVE 24V	1		
4	590198520092		SCREW CYL HD M4×10	2		
5	590198520134		FILTER	1		
6	590198520009		CONNECTOR 2-12	1		
7	590198520147		SOLUTION TAP	1		
8	590398520068		CONNECTOR 2-2	1		

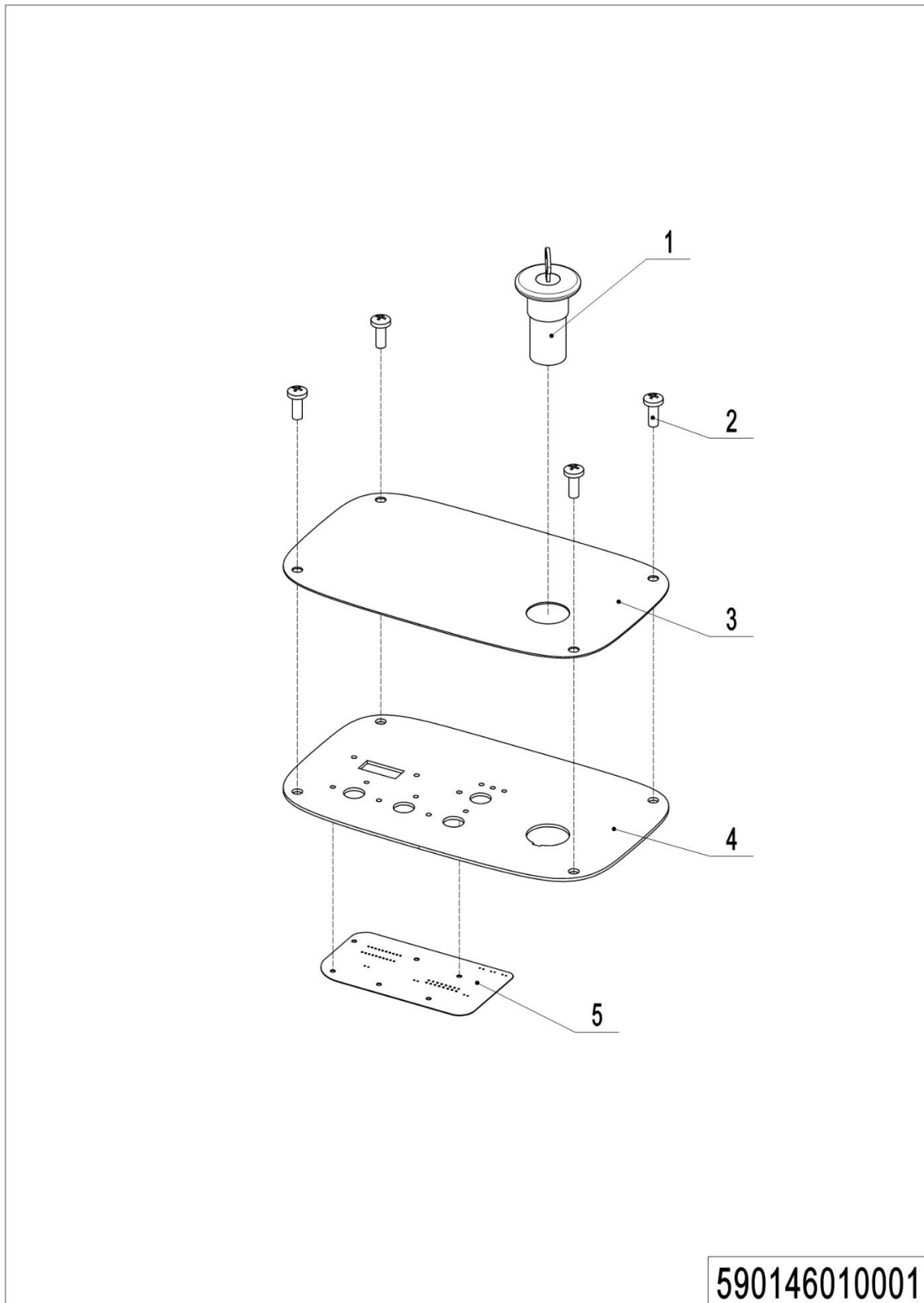
## 07 Wheels (590146017001)



1= Supply as package. 2= Supply with constraints. 3= Phasing-out supply. 4= Supply as assembly. 5= Check other tables.

## 07 Wheels (590146017001)

No.	Item Code	Mark	Item Description	Qty.	Substitute	Note
1	590198520104		SCREW SOCKET HD M8×16	2		
2	590198520103		WASHER	2		
3	590198520022		WHELL WITHOUT HUB 8"	2		
4	590198520012		SPACER	2		
5	590198520098		SCREW HEX HD M8×20	8		
6	590198520066		NUT HEX SELF LOCKING M8	8		
7	590198520029		WHEEL SHAFT NB530	1		

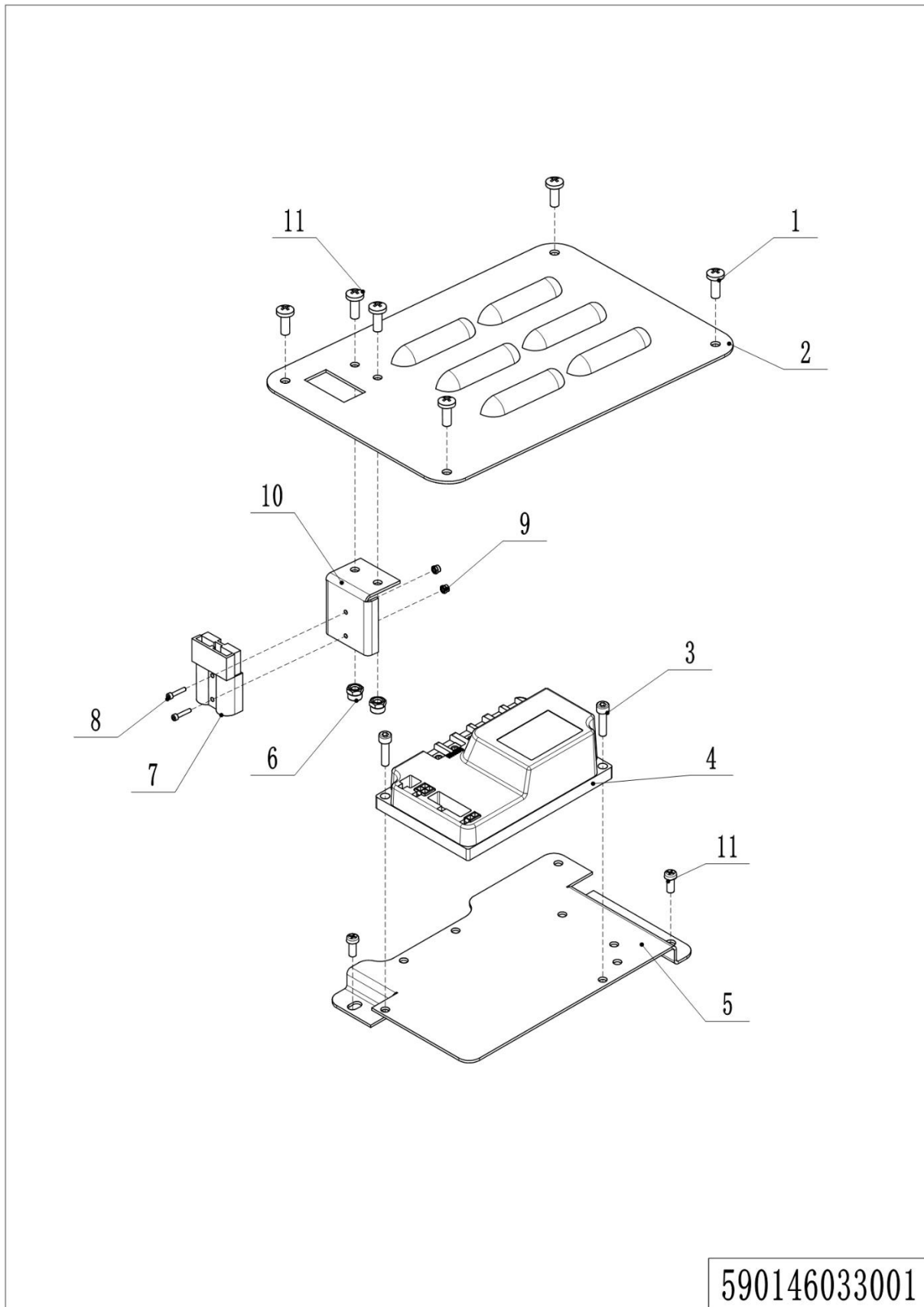
**Chapter 2: Electrical parts****01 Operating panel (590146010001)**



## 01 Operating panel (590146010001)

No.	Item Code	Mark	Item Description	Qty.	Substitute	Note
1	590198520156		START SWITCH WITH KEY	1		
2	590198520093		SCREW CYL HD M5×12	4		
3	590198520157		DECAL	1		
4	590198520158		HOLDER	1		
5	590198520159		ELECTRONIC CARD NL	1		

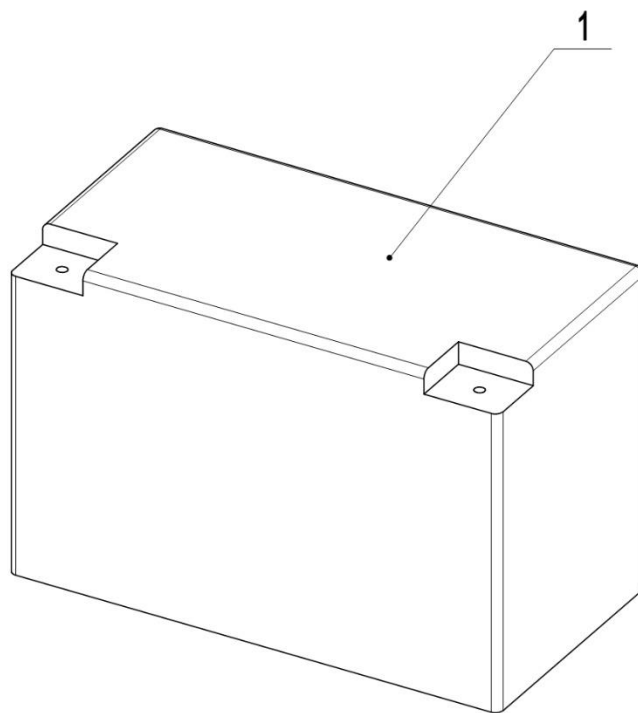
## 02 Electronic control components (590146033001)



## 02 Electronic control components (590146033001)

No.	Item Code	Mark	Item Description	Qty.	Substitute	Note
1	590198520191		SCREW PAN HD M5×8	4		
2	590198520047		COVER FOR PCBA	1		
3	590198520198		SCREW CYL HD M6×20	2		
4	590198510002		ELECTROMAGNETISM	1		
5	590198520046		SUPPORT FOR PCBA	1		
6	590198520068		NUT HEX SELF LOCKING M5	2		
7	590198520141		CHARGER WIRE	1		
8	590198520101		SCREW PAN HD M3×25	2		
9	590198520102		NUT HEX SELF LOCKING M3	2		
10	590198520048		HOLDER	1		
11	590198520093		SCREW CYL HD M5×12	4		

## 03 Traction Battery (590146037001)



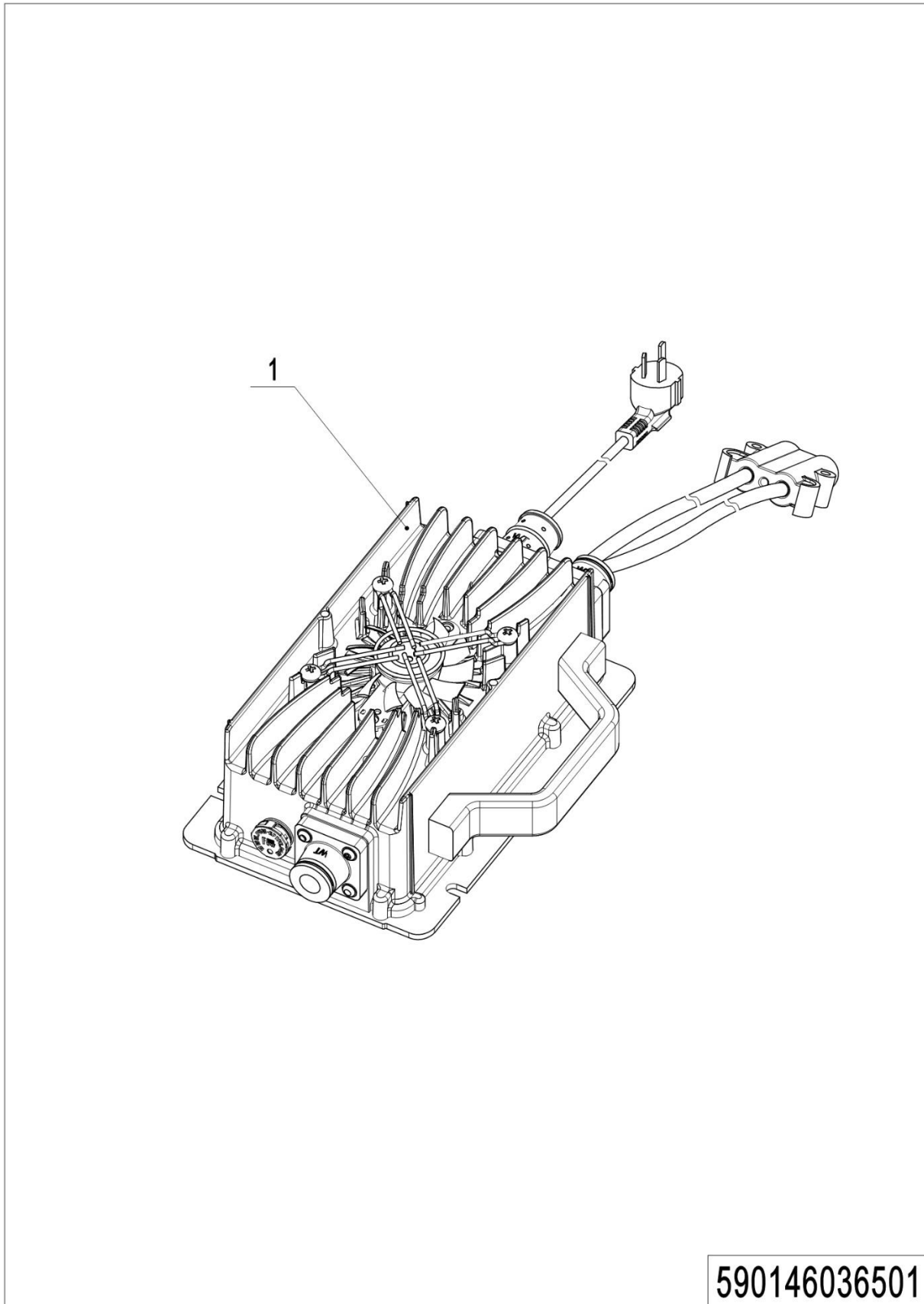
590146037001

---

**03 Traction Battery (590146037001)**

<b>No.</b>	<b>Item Code</b>	<b>Mark</b>	<b>Item Description</b>	<b>Qty.</b>	<b>Substitute</b>	<b>Note</b>
1	590398520081		BATTERY 12V120AH	2		

## 04 Charger (590146036501)

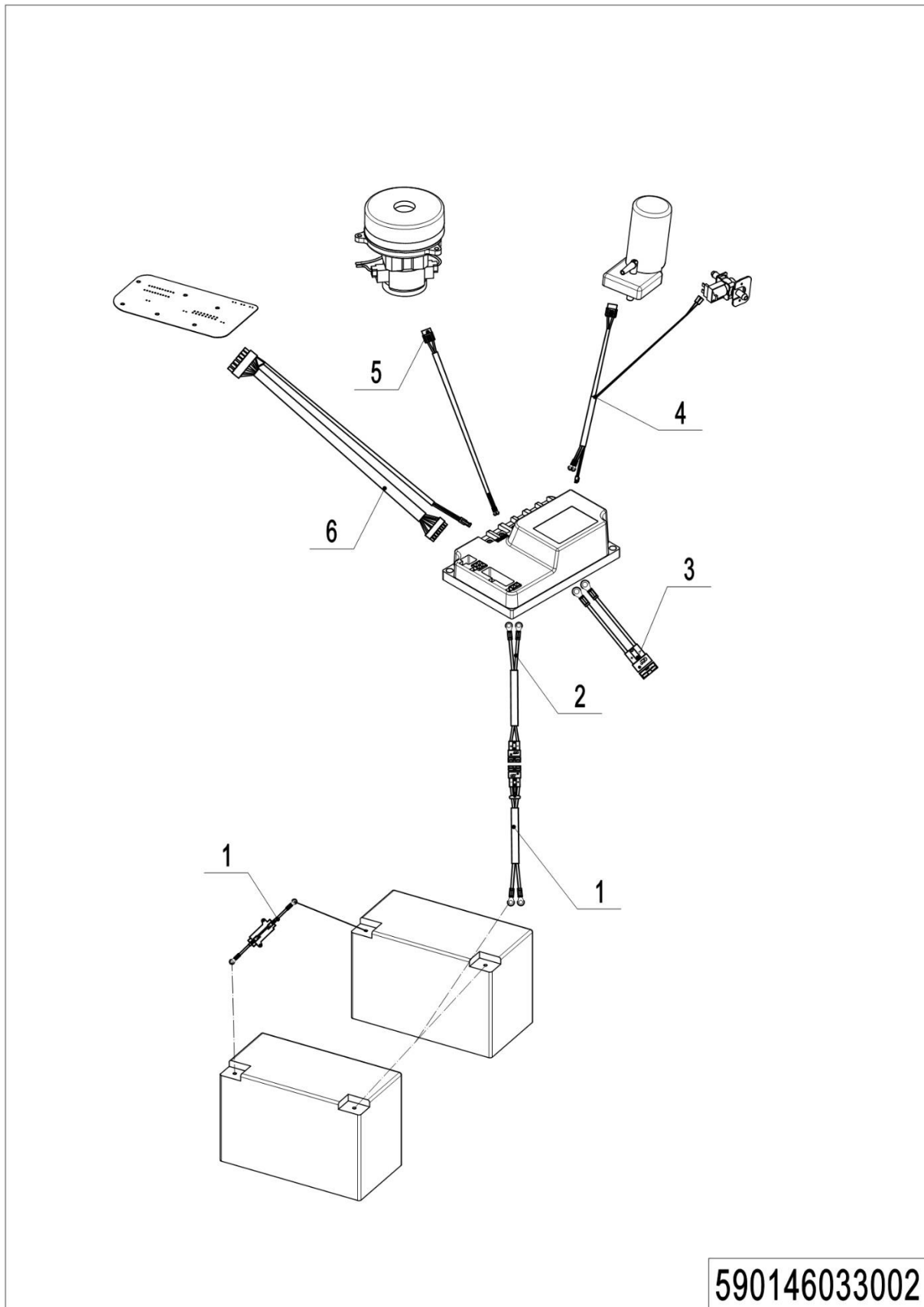


---

**04 Charger (590146036501)**

No.	Item Code	Mark	Item Description	Qty.	Substitute	Note
1	590198520155		CHARGE 24V15A(Asia)	1		
1	590198520182		CHARGE 24V15A(ENG)	1		
1	590198520183		CHARGE 24V15A(US)	1		
1	590198520184		CHARGE 24V15A(EU)	1		
1	590198520185		CHARGE 24V15A(AUS)	1		
1	590198520186		CHARGE 24V15A(ITA)	1		
1	590198520187		CHARGE 24V15A(SWE)	1		
1	590198520188		CHARGE 24V15A(ISR)	1		
1	590198520189		CHARGE 24V15A(BRA)	1		

## 05 Wire Harness (590146033002)





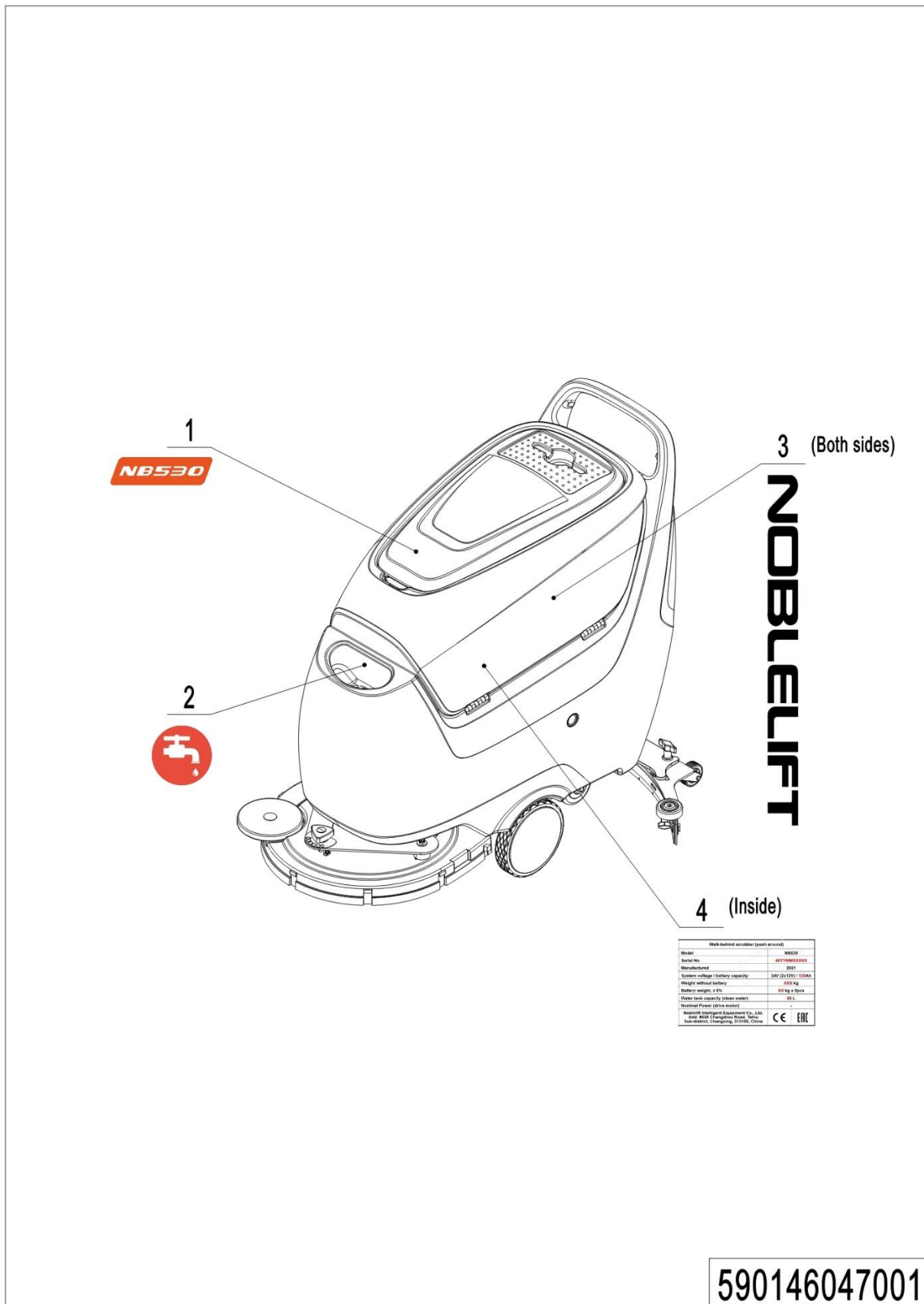
---

**05 Wire Harness (590146033002)**

<b>No.</b>	<b>Item Code</b>	<b>Mark</b>	<b>Item Description</b>	<b>Qty.</b>	<b>Substitute</b>	<b>Note</b>
1	590198510004		Wire Harness	1		
2	590198520202		Wire Harness	1		
3	590198520141		Wire Harness	1		
4	590198510005		Wire Harness	1		
5	590198520201		Wire Harness	1		
6	590198520203		Wire Harness	1		

## Chapter 3: Others

### 01 Labels and decals (590146047001)

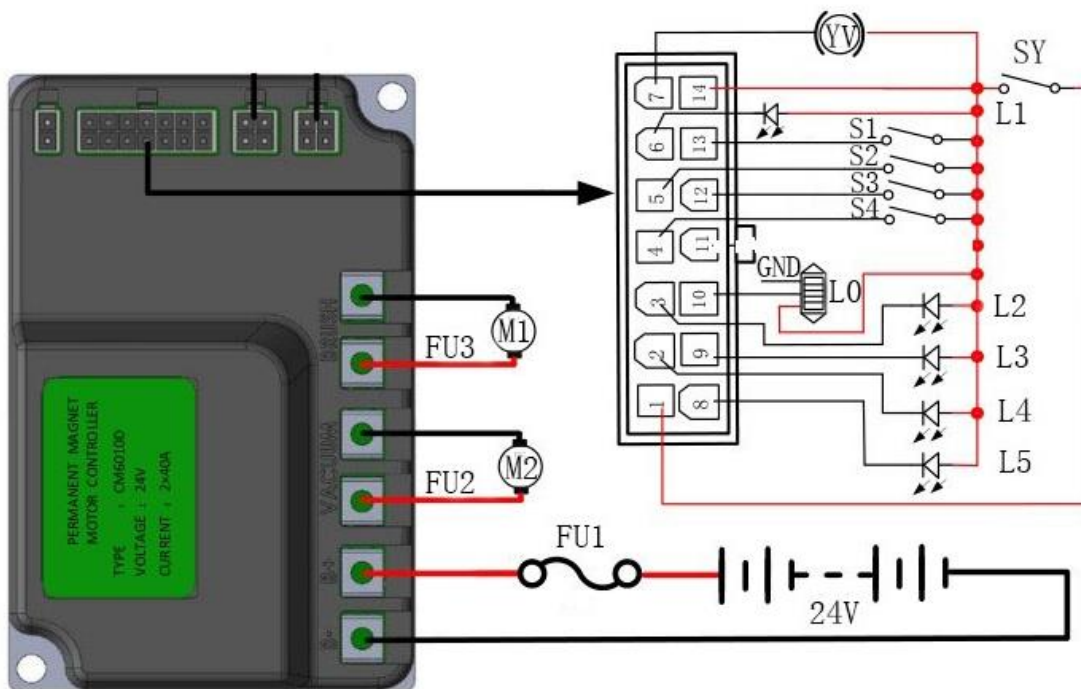


## 01 Labels and decals (590146047001)

No.	Item Code	Mark	Item Description	Qty.	Substitute	Note
1	590147020001		LABLE(NB530)	1		
2	590198520166		LABLE(WATER)	1		
3	590147020000		LABLE(NOBLELIFT)	2		
4	590198520167		DATA PLATE	1		

## Appendix

### 01 Electrical Circuit Diagram ( 590146045501)



M1	Brush Motor	L2	Vacuum motor indicator
M2	Vacuum Motor	L3	Water flow 2
FU1	Fuse 50A	L4	Water flow 3
FU2	Current limit 40A	L5	Water flow 1
FU3	Current limit 40A	S1	Brush removing switch
YV	Water flow control EM valve	S2	Brush motor switch
SY	Key switch	S3	Water flow switch
L0	BDI	S4	Vacuum motor switch
L1	Brush motor indicator		

## 02 Easy Wornout Parts List

No.	Item Code	Item Description	Qty.	Chapter/ Section/ Number
1	590198520129	HINGE	2	Chapter 1/01/01
2	590198520060	SPONGE	1	Chapter 1/01/03
3	590198520015	FLOATING BALL	1	Chapter 1/02/01
4	590198520014	CAGE FOR FLOATING BALL	1	Chapter 1/02/02
5	590198520064	DRAIN HOSE	1	Chapter 1/02/05
6	590198520063	VACUUM HOSE	1	Chapter 1/02/06
7	590198520061	GASKET	1.72	Chapter 1/02/08
8	590398510007	VACUUM MOTOR 24V	1	Chapter 1/02/15
9	590198520032	VIBRATION DAMPING M8	1	Chapter 1/03/07
10	590198510000	REDUCTION GEARMOTRO	1	Chapter 1/03/30
11	590198520045	COUPLING JK	1	Chapter 1/03/32
12	590198520010	BRUSH HOLDER	1	Chapter 1/03/33
13	590198520163	PAD DRIVER	1	Chapter 1/03/37
14	590198520005	WHEEL REVOLVING SS	2	Chapter 1/04/18
15	590198520131	WHEEL	2	Chapter 1/05/07
16	590198520026	SUPPORT FOR SPRING	1	Chapter 1/05/22
17	590198520133	REAR WHEEL	2	Chapter 1/05/34
18	590198510003	SQUEEGEE ASSEMBLY	1	Chapter 1/05/37
19	590198520140	SOLENOID VALVE 24V	1	Chapter 1/06/03
20	590198520134	FILTER	1	Chapter 1/06/05
21	590198520147	SOLUTION TAP	1	Chapter 1/06/07
22	590198520022	WHEEL WITHOUT HUB 8"	2	Chapter 1/07/03
23	590198520156	START SWITCH WITH KEY	1	Chapter 2/01/01

### 03 Consumables list

No.	Item Code	Item Description	Qty.	Chapter/ Section/ Number
1	590198520162	BRUSH	1	Chapter 1/03/37
	590198520171	BRUSH(SOFT)	1	Chapter 1/03/37
	590198520172	BRUSH(HARD)	1	Chapter 1/03/37
2	590198520138	BLADE REAR RUBBER	1	Chapter 1/05/11
	590198520160	BLADE REAR NR	1	Chapter 1/05/11
	590198520164	BLADE REAR PU	1	Chapter 1/05/11
3	590198520137	BLADE FRONT RUBBER	1	Chapter 1/05/32
	590198520161	BLADE FRONT NR	1	Chapter 1/05/32
	590198520165	BLADE FRONT PU	1	Chapter 1/05/32
4	590198520168	WHITE PAD	1	USE WITH PAD DRIVER
	590198520169	RED PAD	1	USE WITH PAD DRIVER
	590198520170	BLACK PAD	1	USE WITH PAD DRIVER